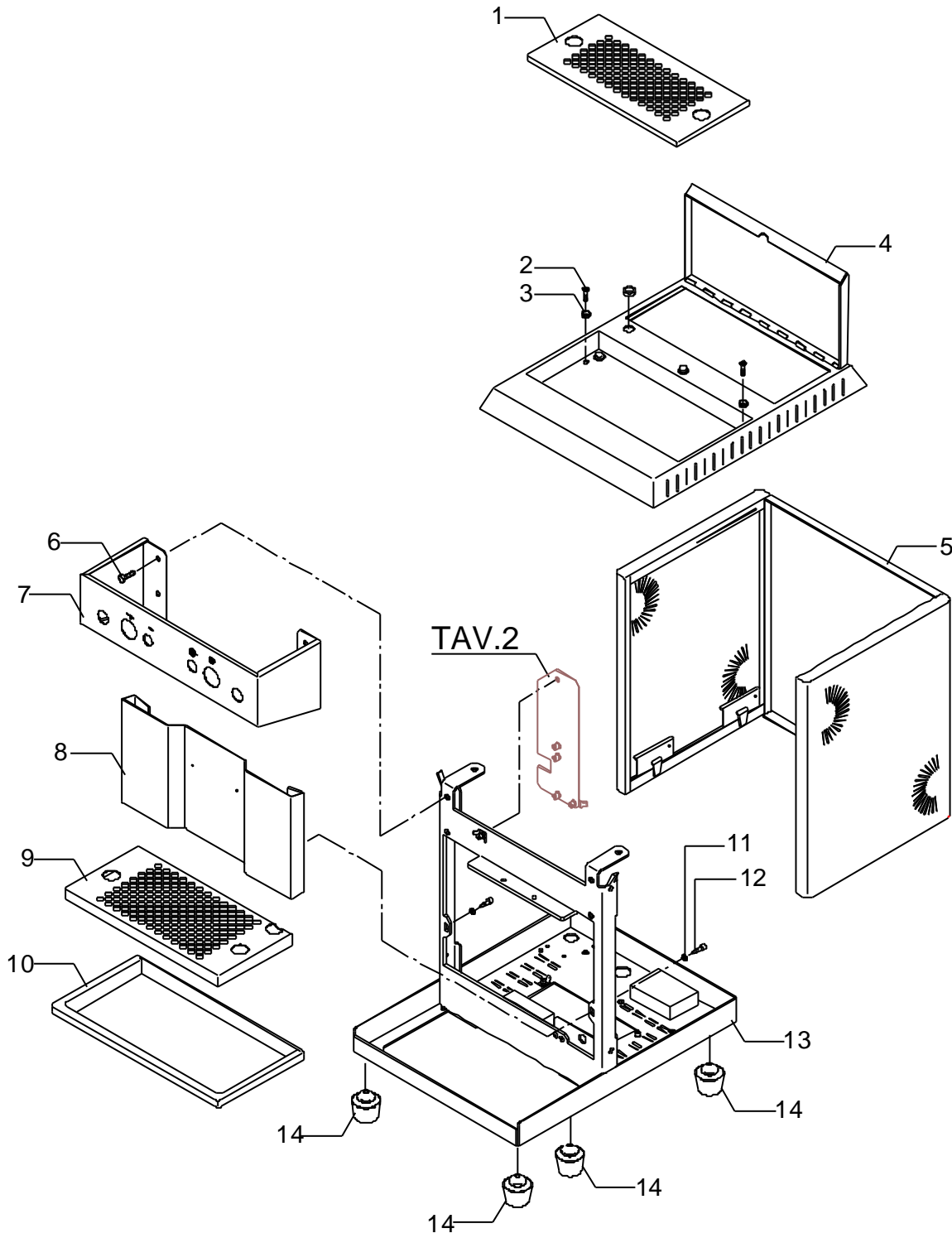




# BZ99

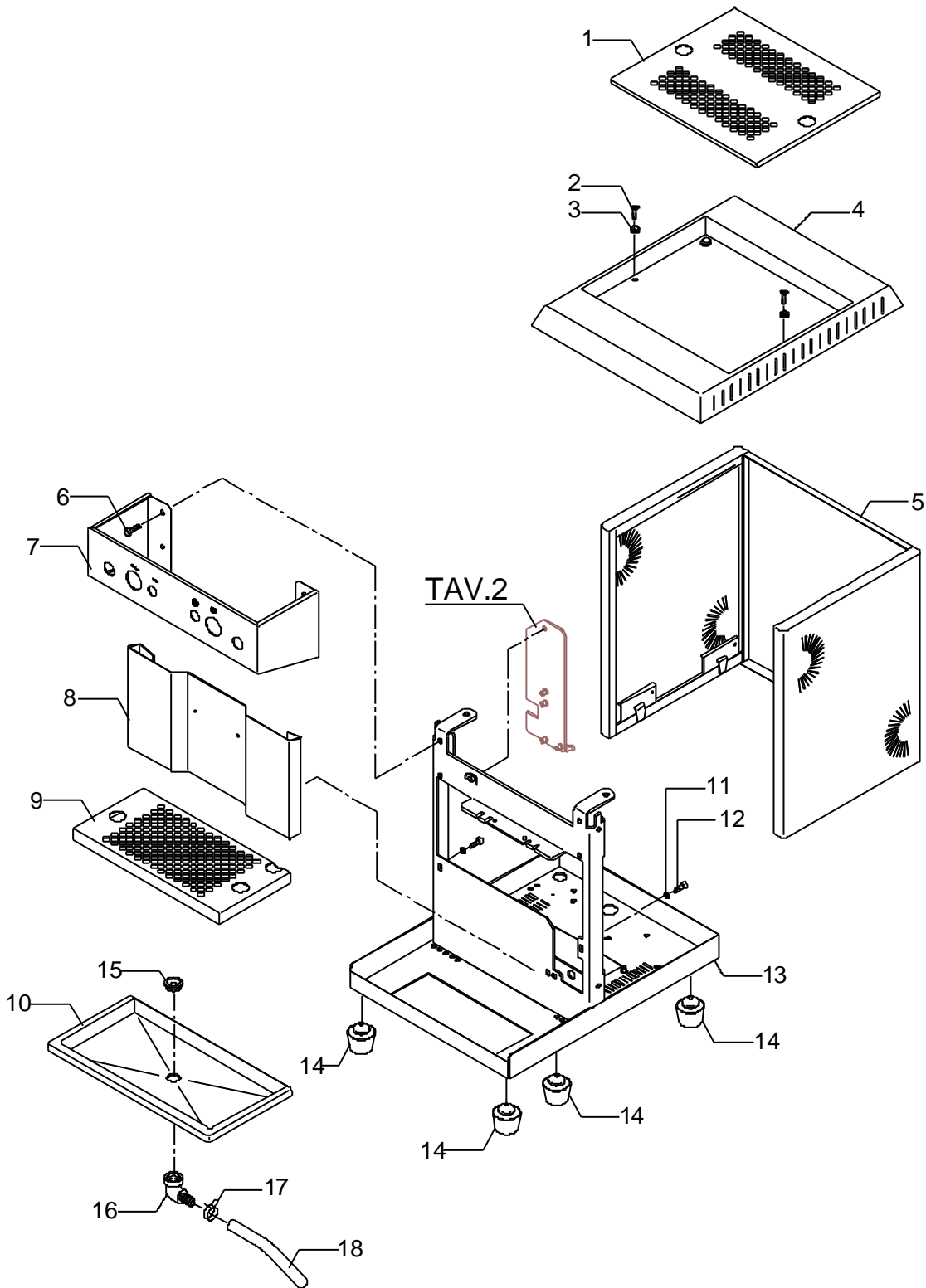


POS	DESCRIPTION	CODE	REFERENCE
01	CUPS-HEATER GRID	5074507LW	STAR 019
02	SCREW TPS M4 X 16	7817801	F 1599
03	WASHER FOR SPRING D4 H3 OT NICKEL-PLATED	5221846	N 1221
04	ASSEMBLY CUPS-HEATER	5961527	STAR 032
05	ASSEMBLY BODY WHITE	5961529YE	STAR 034
05	ASSEMBLY BODY STAINLESS STEEL POLISHED	5961530	STAR 034
05	ASSEMBLY BODY STAINLESS STEEL SATINED	5961531	STAR 034
05	ASSEMBLY BODY BLACK	5961529VM	STAR 034
05	ASSEMBLY BODY RED RAL 3000	5961529VT	STAR 034
05	ASSEMBLY BODY RED RAL 3005	5961529YA	STAR 034
06	SCREW TE M4X10 UNI 5739 A2	7816404	F 1376
07	WORKING FRONTAL PANEL	5074326SG	STAR 001
08	GROUP FRONTAL	5074201LL	STAR 008
09	DRIP TRAY GRID	5074506LW	STAR 009
10	DRIP TRAY ABS	7373002	LI 27
11	NOTCHED WASHER D5 DIN 6798A A2	7814002	F 1344
12	SCREW TCEI M4X16	7816004	GB/1 783
13	ASSEMBLY CHASSIS BLACK SEMIPOLISHED RAL 9005 (UP TO 09.03.06)	5344012	STAR 025
13	ASSEMBLY CHASSIS BLACK SEMIPOLISHED RAL 9005 (FROM TO 10.03.06)	5344012.01	STAR 025
14	RUBBER FEET (UP TO 09.03.06)	7474202	-
14	RUBBER FEET (FROM TO 10.03.06)	7474216	-



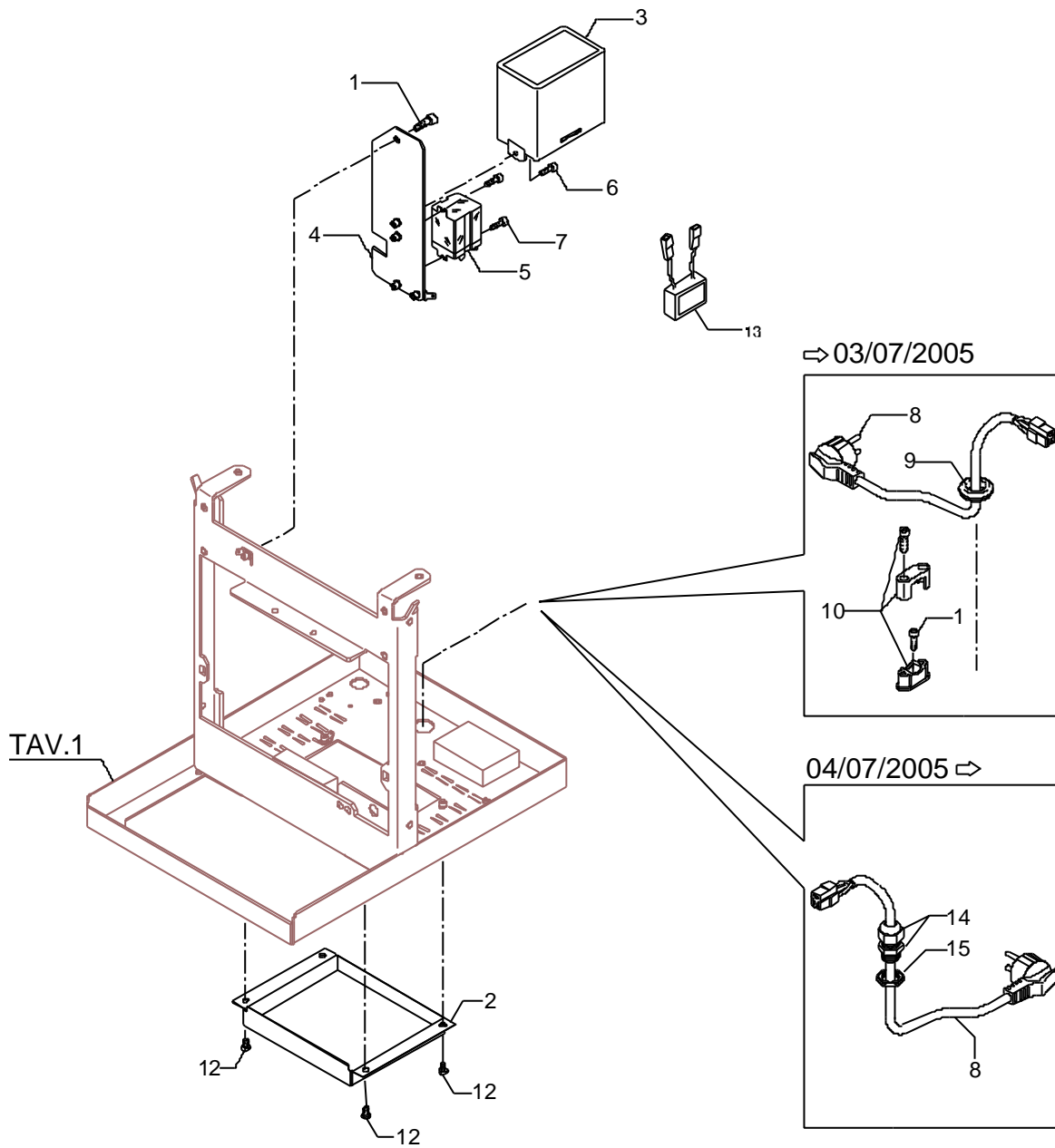


<b>POS</b>	<b>DESCRIPTION</b>	<b>CODE</b>	<b>REFERENCE</b>
01	CUPS-HEATER GRID	5074508LW	STAR 016
02	SCREW TPS M4 X 16	7817801	F 1599
03	WASHER FOR SPRING D4 H3 OT NICKEL-PLATED	5221846	N 1221
04	ASSEMBLY CUPS-HEATER	5961528	STAR 035
05	ASSEMBLY BODY WHITE	5961529YE	STAR 034
05	ASSEMBLY BODY STAINLESS STEEL POLISHED	5961530	STAR 034
05	ASSEMBLY BODY STAINLESS STEEL SATINED	5961531	STAR 034
05	ASSEMBLY BODY BLACK	5961529VM	STAR 034
05	ASSEMBLY BODY RED RAL 3000	5961529VT	STAR 034
05	ASSEMBLY BODY RED RAL 3005	5961529YA	STAR 034
06	SCREW TE M4X10 UNI 5739 A2	7816404	F 1376
07	WORKING FRONTAL PANEL	5074326SG	STAR 001
08	GROUP FRONTAL	5074201LL	-
09	DRIP TRAY GRID	5074506LW	STAR 009
10	DRIP TRAY ABS	7373002LL	LI 157
11	NOTCHED WASHER D5 DIN 6798A A2	7814002	F 1344
12	SCREW TCEI M4X16	7816004	GB/1 783
13	ASSEMBLY CHASSIS BLACK SEMIPOLISHED RAL 9005 (UP TO 09.03.06)	5344012	STAR 025
13	ASSEMBLY CHASSIS BLACK SEMIPOLISHED RAL 9005 (FROM TO 10.03.06)	5344012.01	STAR 025
14	RUBBER FEET (UP TO 09.03.06)	7474202	-
14	RUBBER FEET (FROM TO 10.03.06)	7474216	-
15	FITTING 3/8"G	5225230	F 1278
16	RUBBER-HOLDER D11 OT	5224403	F 1277
17	CLAMP D14	7611502	F 1274
18	HOSE D14 L=1.5M PLASTIC	7303502	BZ 029





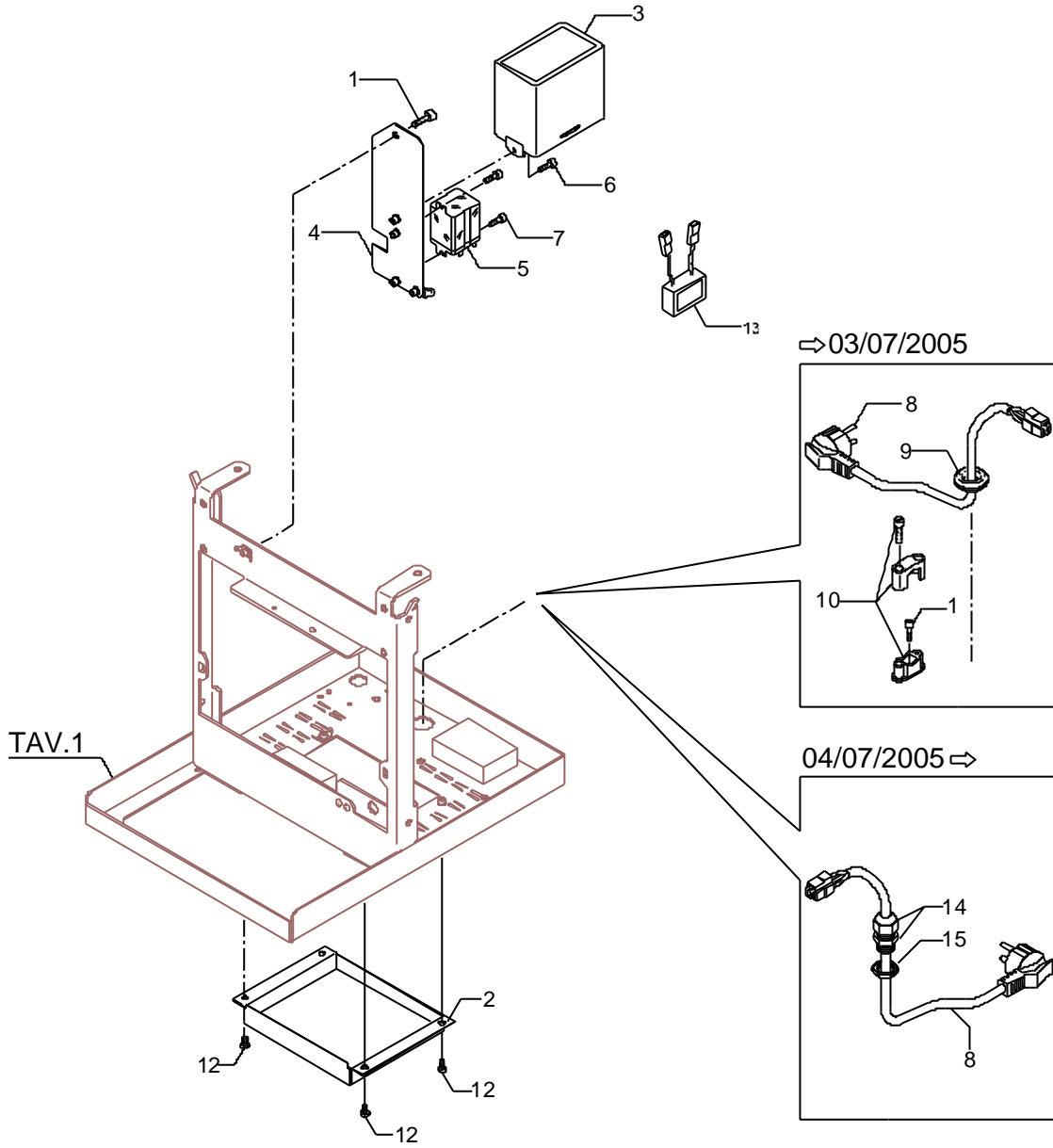
POS	DESCRIPTION	CODE	REFERENCE
01	SCREW TCEI M4X12 (UP TO 03/07/05)	7816002	F 1600
02	HEATING ELEMENT PROTECTION	5373102	-
03	LEVEL REGULATOR 3 PROBES 110/120V	7661033.01	-
03	LEVEL REGULATOR 3 PROBES 220/230V	7661034.01	-
03	LEVEL REGULATOR 3 PROBES 240V	7661035.01	-
04	ELECTRIC PARTS SUPPORT PLATE	5055706LL	MPSQ 11
05	RELAY 16A 110V 2 CONTACTS FASTON (FROM 09/02/04)	7635418	-
05	RELAY 30A 110V (UP TO 08/02/04)	7635403	VTE 98/110
05	RELAY 30A 220/230V (UP TO 01/09/04)	7635410	VTE 98/230
05	RELAY 30A 240V (UP TO 01/09/04)	7635401	VTE 98/240
05	RELAY 16A 220/230V 2 CONTACTS FASTON (FROM 02/09/04)	7635419	-
05	RELAY 16A 240V 2 CONTACTS FASTON (FROM 02/09/04)	7635420	-
06	SCREW TCEI M4X16	7816004	-
07	SCREW TCI M4X10 UNI 6107 OT	7826201	F 1537
08	CABLE WITH AUSTRALIAN PLUG	7552001	J 720
08	CABLE WITH SHUKO PLUG	7555001	CAVO 27
08	CABLE WITH USA PLUG	7551001	CAVO 21
08	CABLE WITH ENGLISH PLUG	7554001	J 822
09	FAIRLEAD WITH HOLE RUBBER (UP TO 03/07/05)	7613004	J 220
10	CABLE-PRESS (UP TO 03/07/05)	7614005	J 518
12	SCREW TE M4X10 UNI 5739 A2	7816404	F 1376
13	FILTER RC	7663005R	-
14	FAIRLEAD WITH HOLE RUBBER (FROM 04/07/05)	7614007	-
15	NUT PG13,5 POLYAMIDE (FROM 04/07/05)	7614006	-





<b>POS</b>	<b>DESCRIPTION</b>	<b>CODE</b>	<b>REFERENCE</b>
01	SCREW TCEI M4X12 (UP TO 03/07/05)	7816002	F 1600
02	HEATING ELEMENT PROTECTION	5373102	-
03	LEVEL REGULATOR RL 3 PROBES 110/120V	7661012	J 519/120
03	LEVEL REGULATOR RL 3 PROBES 220/230V	7661003	J 519/230
03	LEVEL REGULATOR RL 3 PROBES 240V	7661013	J 519/240
04	ELECTRIC PARTS SUPPORT PLATE	5055706LL	MPSQ 11
05	RELAY 16A 110V 2 CONTACTS FASTON (FROM 09/02/04)	7635418	-
05	RELAY 30A 110V (UP TO 08/02/04)	7635403	VTE 98/110
05	RELAY 30A 220/230V (UP TO 01/09/04)	7635410	VTE 98/230
05	RELAY 30A 240V (UP TO 01/09/04)	7635401	VTE 98/240
05	RELAY 16A 220/230V 2 CONTACTS FASTON (FROM 02/09/04)	7635419	-
06	SCREW TCEI M4X16	7816004	-
07	SCREW TCI M4X10 UNI 6107 OT	7826201	F 1537
08	CABLE WITH AUSTRALIAN PLUG	7552001	J 720
08	CABLE WITH SHUKO PLUG	7555001	CAVO 27
08	CABLE WITH USA PLUG	7551001	CAVO 21
08	CABLE WITH ENGLISH PLUG	7554001	J 822
09	FAIRLEAD WITH HOLE RUBBER (UP TO 03/07/05)	7613004	J 220
10	CABLE-PRESS (UP TO 03/07/05)	7614005	J 518
12	SCREW TE M4X10 UNI 5739 A2	7816404	F 1376
13	FILTER RC	7663005R	-
14	FAIRLEAD WITH HOLE RUBBER (FROM 04/07/05)	7614007	-
15	NUT PG13,5 POLYAMIDE (FROM 04/07/05)	7614006	-

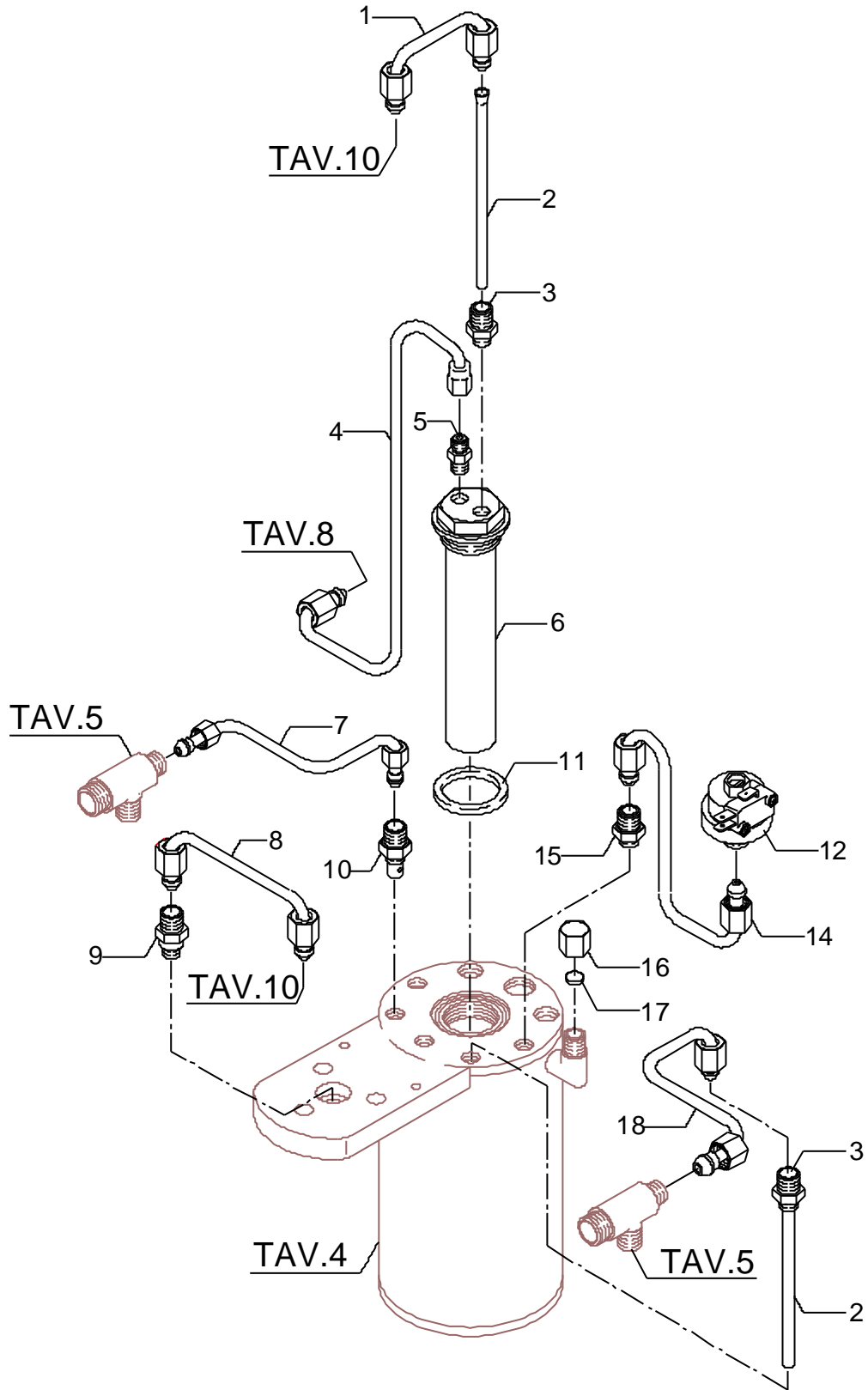






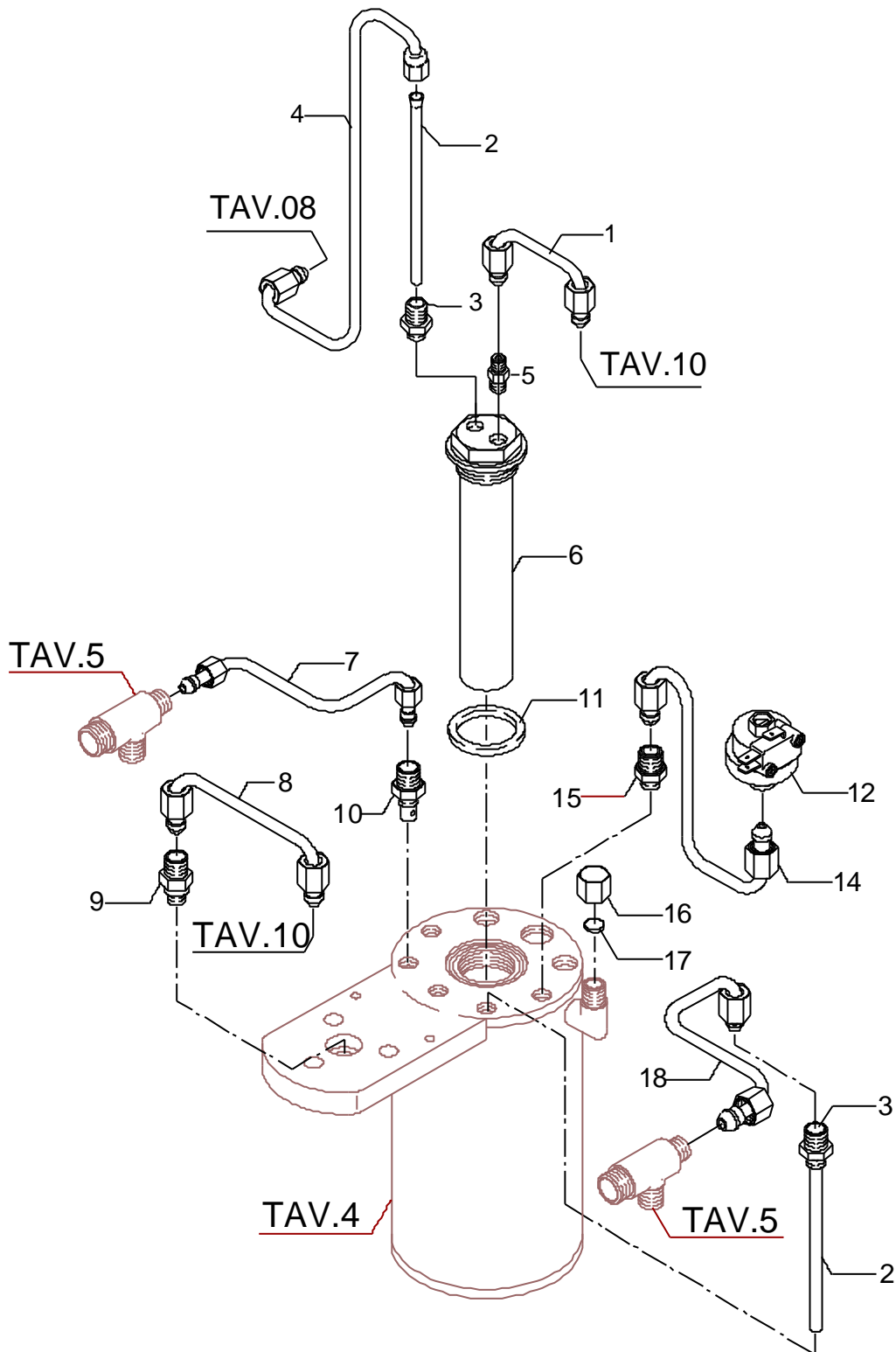
<b>POS</b>	<b>DESCRIPTION</b>	<b>CODE</b>	<b>REFERENCE</b>
01	EXCHANGER-GROUP SOLENOID VALVE HOSE	5162185LL	-
02	SUCTION HOSE D6 L=130MM PTFE	5192301	-
03	STRAIGHT FITTING 1/8"G X M12 OT	5302006	F 1471
04	EXCHANGER- SURPRESSION VALVE HOSE	5162184LL	-
05	STRAIGHT FITTING 1/8"G OT	7304502	F 653
06	ASSEMBLY EXCHANGER HOSE POLISHED	5329005.01BL	LI 72
07	STEAM TAP HOSE	5162057LL	61600177
08	HOSE FOR SOLENOID VALVE OF GROUP	5162056LL	61600090
09	STRAIGHT FITTING M12 X 1/8"G OT H23	5302003	F 671/A
10	STRAIGHT FITTING M12 X 1/8"G OT H33	5302007	F 1383
11	GASKET D32 X 3 BRASS	5495007	-
12	PRESSOSTAT XP/100 1/4"G CALIBRATION 1.2 BAR	7433008	-
12	PRESSOSTAT XP/100 1/4"G CALIBRATION 1 BAR (STANDARD)	7433002	J 886
14	PRESSOSTAT HOSE	5162152LL	-
15	STRAIGHT FITTING 1/8"G X M12 OT	5302004	F 904
16	CAP NUT M12	5221813	F 637/A
17	GASKET D10.5 X 2	5492008	F 781
18	WATER TAP HOSE	5162156LL	-

Mod. BZ99S  
BZ99R



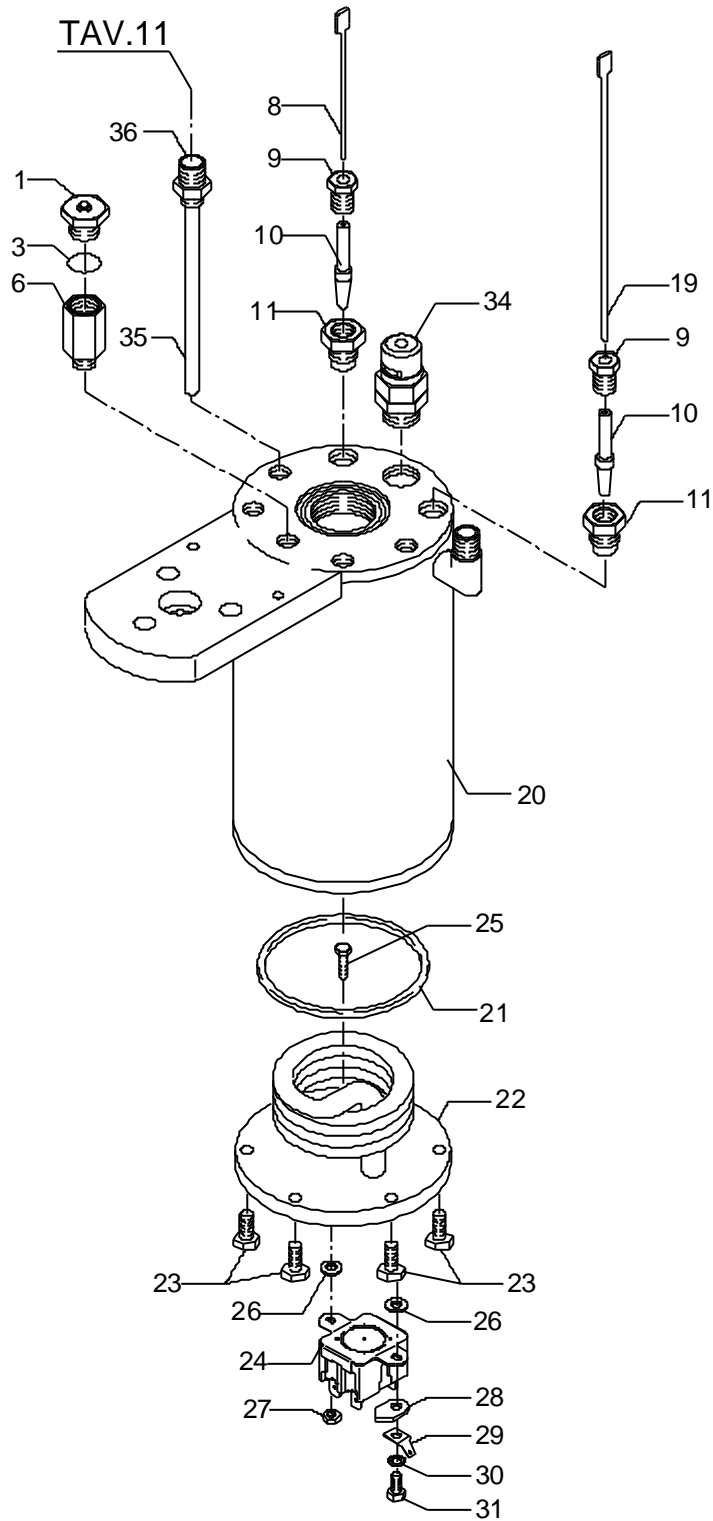


<b>POS</b>	<b>DESCRIPTION</b>	<b>CODE</b>	<b>REFERENCE</b>
01	EXCHANGER-GROUP SOLENOID VALVE HOSE	5162185.01LL	-
02	SUCTION HOSE D6 L=130MM PTFE	5192301	-
03	STRAIGHT FITTING 1/8"G X M12 OT	5302006	F 1471
04	EXCHANGER- SURPRESSION VALVE HOSE	5162184.01LL	-
05	STRAIGHT FITTING 1/8"G OT	7304502	F 653
06	ASSEMBLY EXCHANGER HOSE POLISHED	5329005.01BL	LI 72
07	STEAM TAP HOSE	5162057LL	61600177
08	HOSE FOR SOLENOID VALVE OF GROUP	5162056LL	61600090
09	STRAIGHT FITTING M12 X 1/8"G OT H23	5302003	F 671/A
10	STRAIGHT FITTING M12 X 1/8"G OT H33	5302007	F 1383
11	GASKET D32 X 3 BRASS	5495007	-
12	PRESSOSTAT XP/100 1/4"G CALIBRATION 1.2 BAR	7433008	-
12	PRESSOSTAT XP/100 1/4"G CALIBRATION 1 BAR (STANDARD)	7433002	J 886
14	PRESSOSTAT HOSE	5162152LL	-
15	STRAIGHT FITTING 1/8"G X M12 OT	5302004	F 904
16	CAP NUT M12	5221813	F 637/A
17	GASKET D10.5 X 2	5492008	F 781
18	WATER TAP HOSE	5162156LL	-





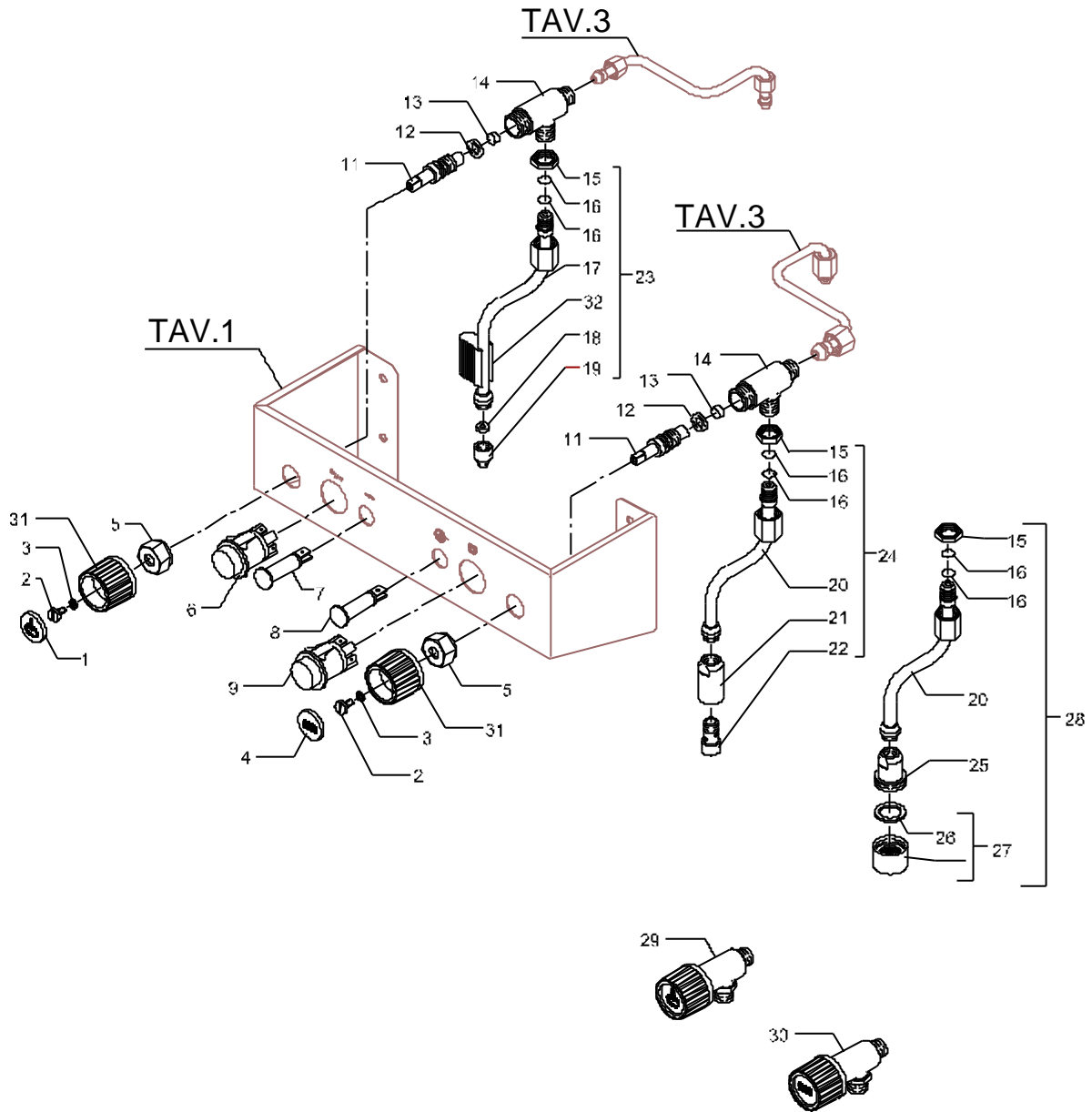
<b>POS</b>	<b>DESCRIPTION</b>	<b>CODE</b>	<b>REFERENCE</b>
01	DRAIN VALVE (NEW)	7452511	R/4 1418
03	OR GASKET (ONLY FOR OLD VALVE)	7496010	KB/7 1238
06	FITTING 1/8"G CONIC	5225277	-
08	LEVEL PROBE 1GR D3 X 110 X 6.3	5265804	Y/10 2394
09	STRAIGHT FITTING M10 OT	5225205	Y 2257/2
10	PROBE SHEATH D8 X 45 HOLE D3 PTFE	5192001	Y/5 2383/A
11	STRAIGHT FITTING 1/4"G X M10 OT	5225209	Y 2257/3
19	LEVEL PROBE D3X160X4.8	5265811	Y/5 2420
20	ASSEMBLY BOILER POLISHED	5320503BL	LI 139
21	OR GASKET D73 X 3 VITON	7496040	LI 138-V
22	HEATING ELEMENT V100 W1200	5721004	LI 137/100INCO
22	HEATING ELEMENT V110/120 W1200	5721128	LI 137/120INCO
22	HEATING ELEMENT 220/230V W1200	5722205	LI 137/220
22	HEATING ELEMENT 240V W1200	5722404	LI 137/240
23	SCREW TE M6X14 UNI 5739 OT	7816422	F 1757
24	THERMIC SAFETY DEVICE 250V 115°C	7634813	-
25	SCREW TE M4X16 UNI 5739 OT	7826402	F 1574
26	WASHER D5X1 UNI 6592 OT	7825003	D/B 529
27	NUT M4 OT	7822603	F 744
28	EARTHED LABEL	7614501	BZ 054
29	FASTON 45° HOLE D4.3	7615003	J 542
30	WASHER Ø 4	7814001	-
31	SCREW TE M4X8 UNI 5739 A2	7816409	F 780
34	SAFETY VALVE 3/8"G 2,5 BAR	7452509.02	-
35	SUCTION HOSE D6 L=130MM PTFE	5192301	-
36	STRAIGHT FITTING 1/8"G X M12 OT	5302006	F 1471





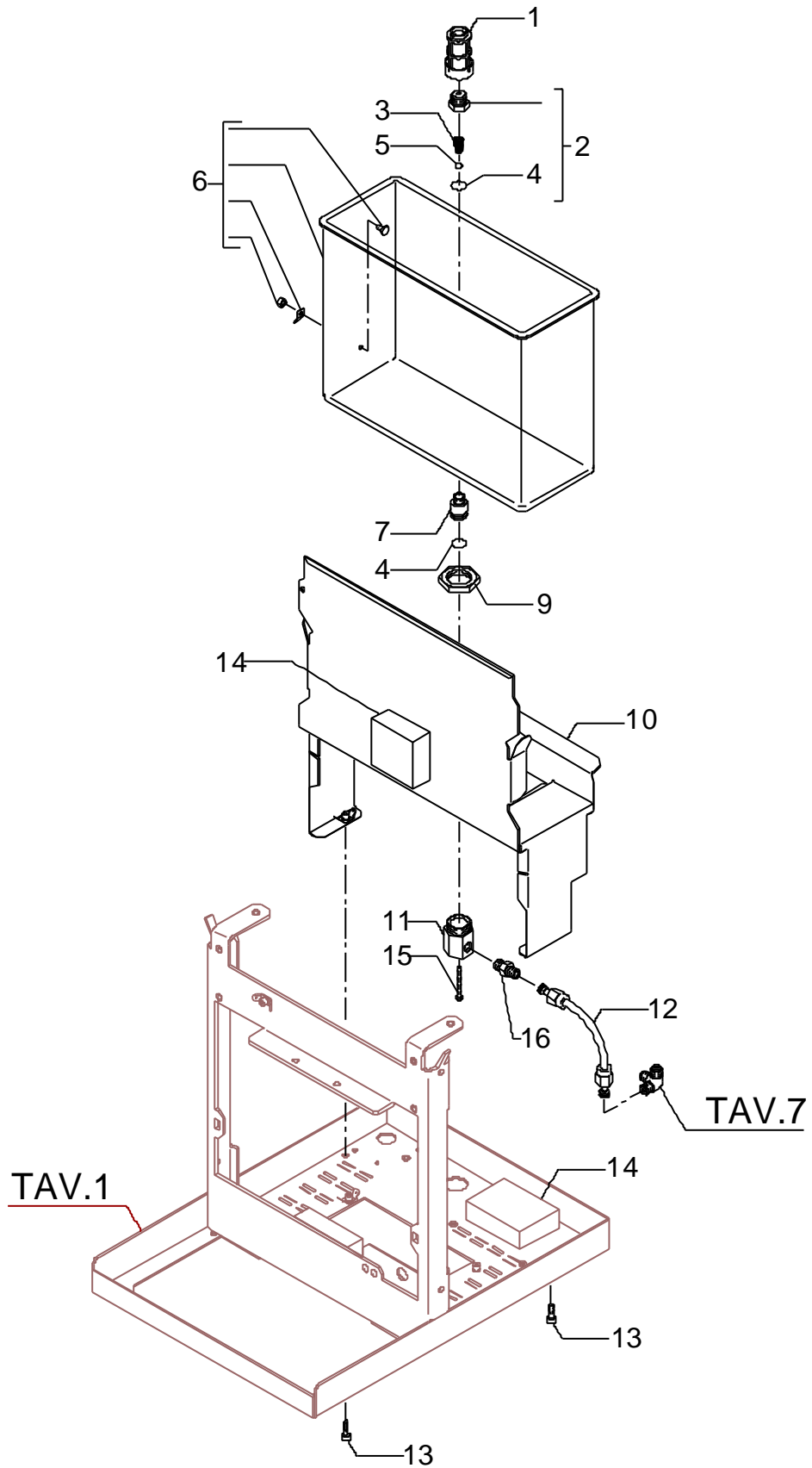
<b>POS</b>	<b>DESCRIPTION</b>	<b>CODE</b>	<b>REFERENCE</b>
01	STEAM PLUG D21	5373901	LI 6V
02	SCREW TCI M4X10 UNI 6107 OT	7816205	F 1573
03	WASHER Ø 4	7814001	-
04	WATER PLUG	5373902	-
05	NUT 3/8"G H11.5 OT CHROMED	5221802CM	M/9 2460
06	ROUND YELLOW SWITCH	7633303	J 547
07	ORANGE LAMP 110V	7633607	T 1482/110
07	ORANGE LAMP 220/240V	7633609	T 1482/220
08	GREEN LAMP 110V	7633608	VTE 95/110
08	GREEN LAMP 220/240V	7633610	VTE95/220-240
09	ROUND GREEN SWITCH	7633304	J 546
11	ASSEMBLY ADJUSTMENT ROD	5960501	M/9 2461
12	OR GASKET D7.6 X 2.62 VITON	7496001	-
13	GASKET D8 X 4 EPT 70SH	5493001	M/9 2463EP
14	TAP BODY 3/8"G X M13 OT	5283001	F 1484
15	NUT M13 H4 OT	5221801	F 1363
16	OR GASKET D6 X 2 VITON	7496037	LI 1
17	STEAM HOSE CHROMED	5163017CM	LI 2
18	GASKET D8.5 X 5 X 3.2 PTFE	5494001	J 464/3
19	STEAM HOSE TERMINAL CHROMED	5226602	O/1 1258
20	COMPLETE WATER HOSE CHROMED	5163018CM	LI 28
21	WATER TERMINAL CHROMED	5226605CM	O/1 1255
22	FITTING M10 OT	5225250	O/1 1256
23	ASSEMBLY COMPLETE STEAM HOSE	5966503	LI 5
24	ASSEMBLY COMPLETE WATER HOSE	5966504	LI 31
25	STRAIGHT FITTING M22 X 1 H25 OT CHROMED	5225226CM	F 1257
26	GASKET D20.5X15 H1.5 NBR 70SH	5493003	-
27	WATER HOSE TERMINAL D23.5 H16 OT CHROMED	5226601CM	F 1272
28	ASSEMBLY WATER HOSE (SPECIAL)	5966511	-
29	COMPLETE STEAM TAP	5974001.01	M/9 2465V
30	ASSEMBLY WATER TAP	5974002.01	M/9 2465A
31	KNOB D32	5371801	-
32	INSULATING	7371001	-





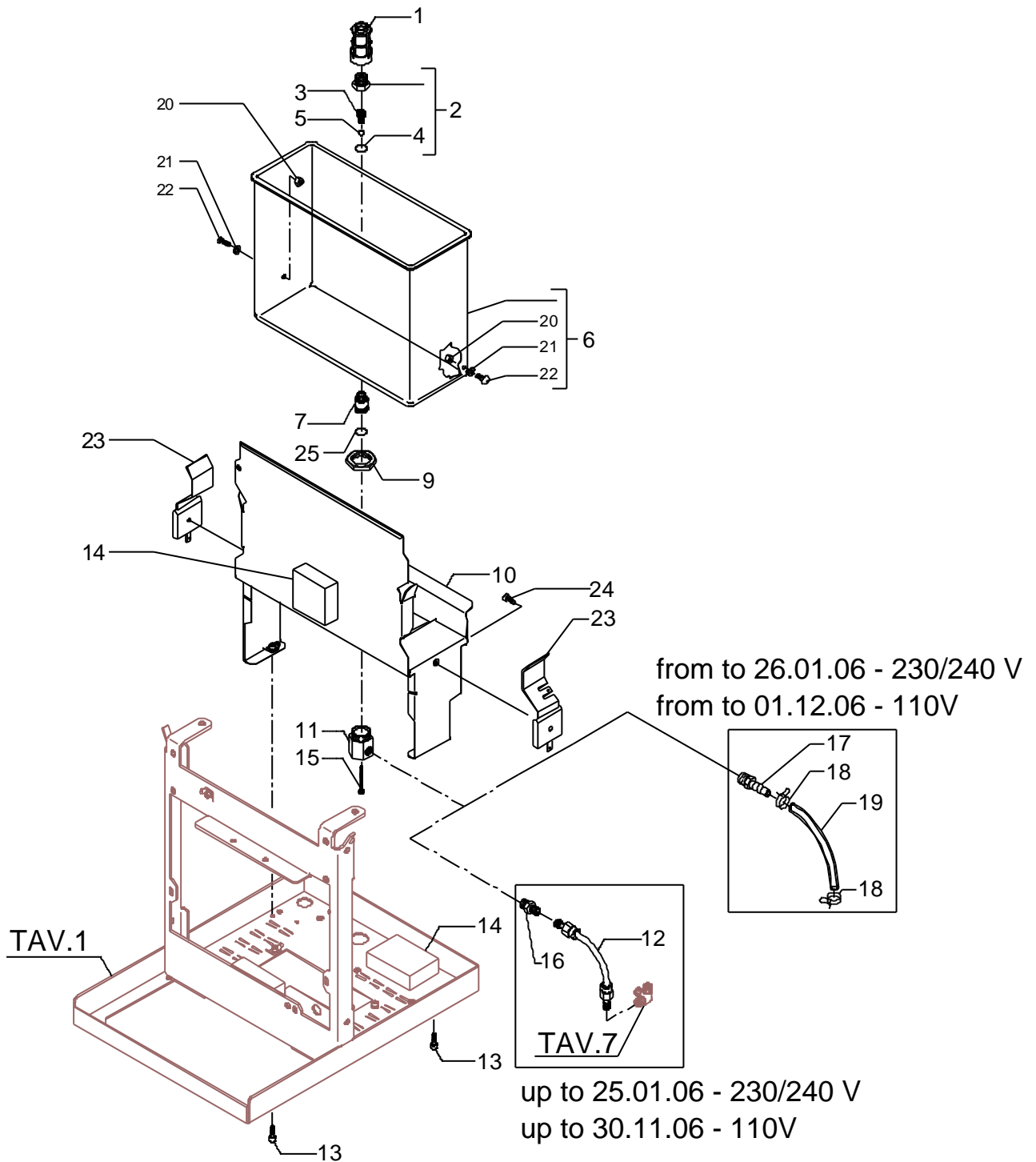


<b>POS</b>	<b>DESCRIPTION</b>	<b>CODE</b>	<b>REFERENCE</b>
01	FILTER 1/4"G H43,5 PLASTIC	7374002	-
02	REDUCTION GEAR 1/4"G X M10 WITH GASKET	5225401	-
03	COUPLING SPRING	5471521	F 1747
04	OR GASKET 112 EPDM 70SH (UP TO 15.04.2006)	7496076	-
05	BALL 7/32" AISI 304	5471509	J 860
06	TANK	7373006LL	-
07	GASKET-HOLDER D14.5 X 22 OT	5224611	F 1744
09	NUT M20 H5 OT	5221830	F 1745
10	ASSEMBLY TANK SUPPORT	5963009.02	-
11	FITTING M20 H28.5 OT	5225228	F 1743
12	TANK-PUMP HOSE D6	5194524LL	-
13	SCREW TCEI M4X10	7816009	F 1572
14	ADHESIVE SPONGE 55X55X20	7499904LL	-
15	SCREW TCI M3X30 UNI 6107 OT	7826206	F 756
16	STRAIGHT FITTING 1/8"G OT	7304502	F 653



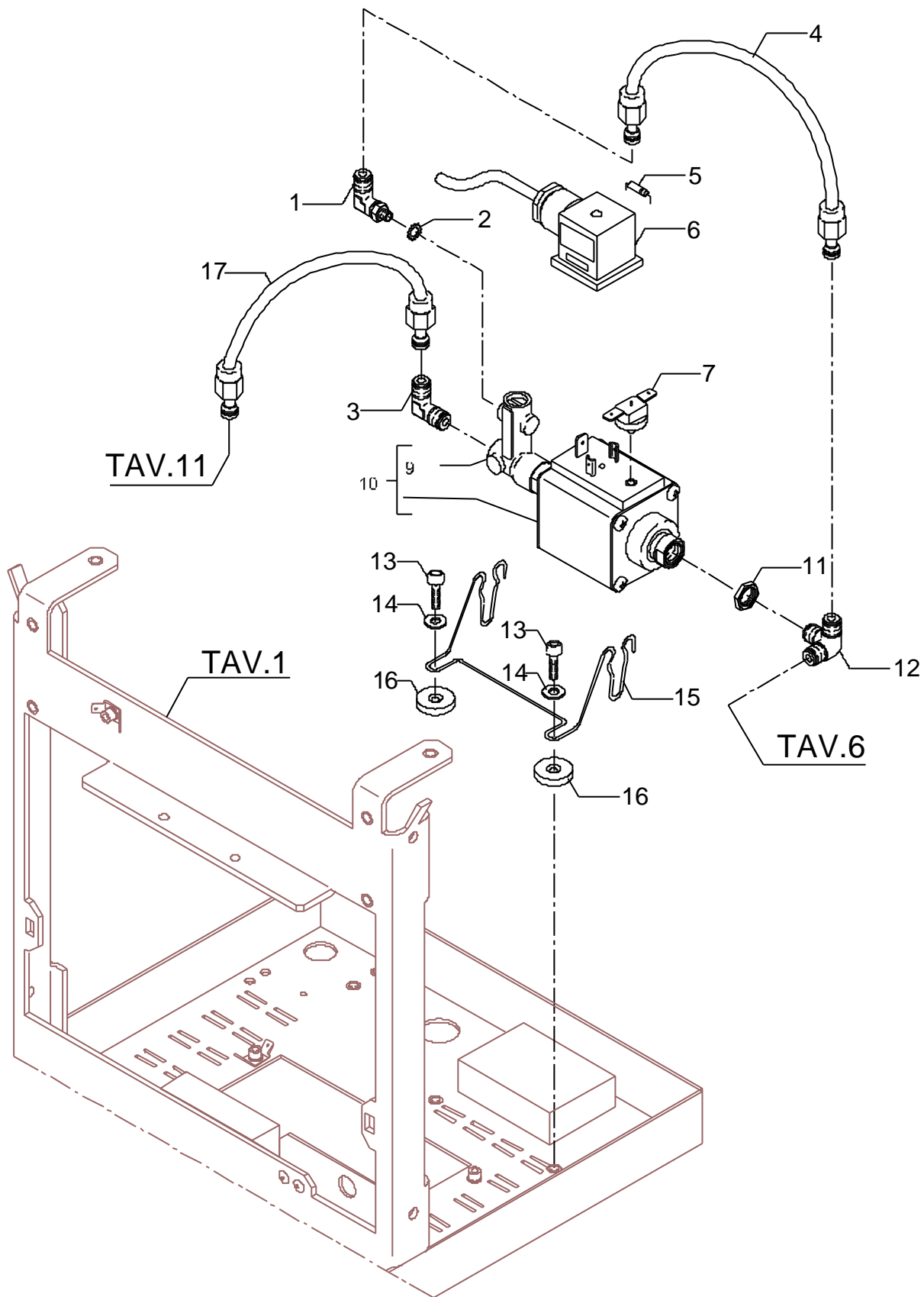


<b>POS</b>	<b>DESCRIPTION</b>	<b>CODE</b>	<b>REFERENCE</b>
01	FILTER 1/4"G H43,5 PLASTIC	7374002	-
02	REDUCTION GEAR 1/4"G X M10 WITH GASKET	5225401	-
03	COUPLING SPRING	5471521	F 1747
04	OR GASKET 112 EPDM 70SH (UP TO 15.04.2006)	7496076	-
04	OR GASKET 115 EP856 (FROM TO 16.04.2006)	7496073	-
05	BALL 7/32" AISI 304	5471509	J 860
06	TANK PP	7373006.01LL	-
07	GASKET-HOLDER D14.5 X 25 OT	5224617	-
09	NUT M20 H5 OT	5221830	F 1745
10	ASSEMBLY TANK SUPPORT	5963009.02	-
11	FITTING M20 H28.5 OT	5225228	F 1743
12	TANK-PUMP HOSE D6 (UP TO: 25.01.06 230/240V-30.11.06 110V )	5194524LL	-
13	SCREW TCEI M4X10	7816009	F 1572
14	ADHESIVE SPONGE 55X55X20	7499904LL	-
15	SCREW TCI M3X30 UNI 6107 OT	7826206	F 756
16	STRAIGHT FITTING 1/8"G OT (UP TO: 25.01.06 230/240V-30.11.06 110V )	7304502	F 653
17	FITTING 1/8"G CONIC (FROM TO: 26.01.06 230/240V-1.12.06 110V )	5225246	-
18	CLAMP (FROM TO: 26.01.06 230/240V-1.12.06 110V )	7611512	-
19	CRISTAL HOSE D6 X 9 L=150MM (FROM TO: 26.01.06 230/240V-1.12.06 110V )	5194529	-
20	NUT M4 STAINLESS STEEL	7812601	-
21	WASHER D4 NYLON	7374004	-
22	SCREW TTEI M4X8	7819908	-
23	TANK SUPPORT SHAPED SPRING	5471535	-
24	SCREW TC M 3,5X8 PLASTITE	7809806	-
25	OR GASKET 112 EPDM 70SH	7497076	-





<b>POS</b>	<b>DESCRIPTION</b>	<b>CODE</b>	<b>REFERENCE</b>
01	ASSEMBLY FITTING FOR PUMP	5973050	BZ 065
02	NOTCHED WASHER D5 DIN 6798A A2	7814002	F 1344
03	UNION ELBOW 1/8"G	7303001	F 1141
04	BY-PASS HOSE D6 PTFE	5194521LL	BZ 066
05	DIODE	7632402	Q/4 1374
06	CONNECTOR WITH DIODE AND CABLE L=550MM	7631507LL	-
07	THERMIC SAFETY DEVICE 250V 100°C AUTOMATIC	7634805	J 680
07	THERMIC SAFETY DEVICE 250V 100°C MANUAL	7634806	Q/4 1375/100
07	THERMIC SAFETY DEVICE 250V 80°C MANUAL	7634802	Q/4 1375
09	BY-PASS FITTING	7303009	BZ 063
10	VIBRATION PUMP WITH BY-PASS 110V	7731002	LI 165/110
10	VIBRATION PUMP WITH BY-PASS 220V/240V	7731003	LI 165/220
11	NUT 1/8"G H3	5221844	F 1139
12	FITTING 3 WAY 1/8" X 1/8" X 1/8"G OT	7304505	F 1140
13	SCREW TCEI M4 X 12 UNI 5931 8.8 ZN	7806002	SIS 1
14	PLAIN WASHER D5 X 11 X 1	7805009	SIS 9
15	PUMP SUPPORT SHAPED SPRING AISI 302	5471510	LI 231
16	TAP GASKET EPT 70SH	5493023	M/5 2431EP
17	PUMP-SOLENOID VALVE HOSE D6	5194522LL	LI 232



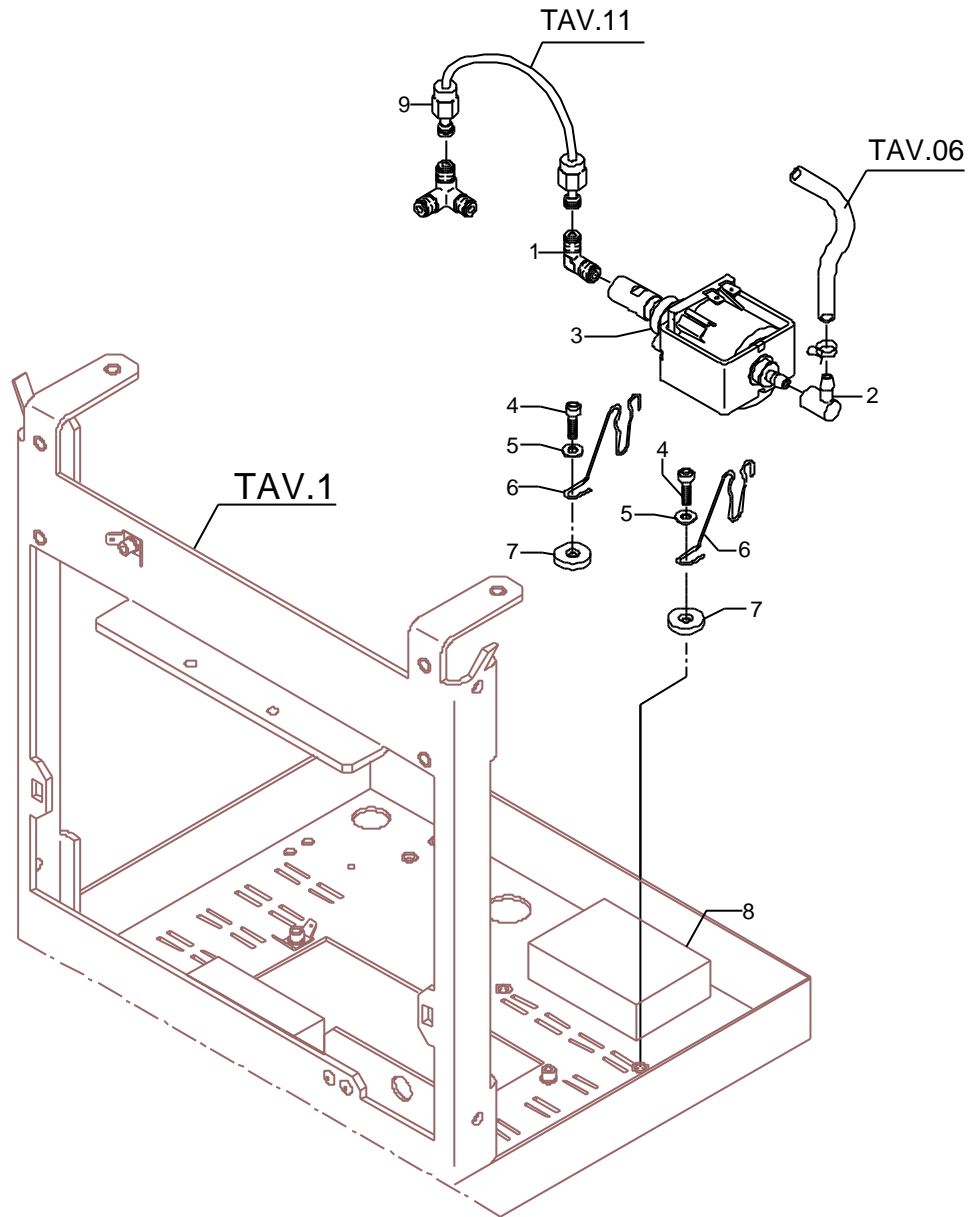


**BEZZERA**  
dal 1901

**Tav. 07 (from to 26.01.06 230/240v)**  
**(from to 01.12.06 110v)**

<b>POS</b>	<b>DESCRIPTION</b>	<b>CODE</b>	<b>REFERENCE</b>
01	UNION ELBOW 1/8"G	7303001	F 1141
02	RUBBER-HOLDER FITTING	7303006	LI 64
03	VIBRATION PUMP 120V 50/60Hz	7731011	-
03	VIBRATION PUMP 230V 50HZ	7731009	LI 63/220
03	VIBRATION PUMP 240V 50/60Hz	7731014	LI 63/240
04	SCREW TCEI M4 X 12 UNI 5931 8.8 ZN	7806002	SIS 1
05	PLAIN WASHER D5 X 11 X 1	7805009	SIS 9
06	PUMP SUPPORT SHAPED SPRING AISI 302	5471534	-
07	TAP GASKET EPT 70SH	5493023	M/5 2431EP
08	ADHESIVE SPONGE 55X55X20	7499904LL	-
09	PUMP-SOLENOID VALVE HOSE	5194527LL	LI 237



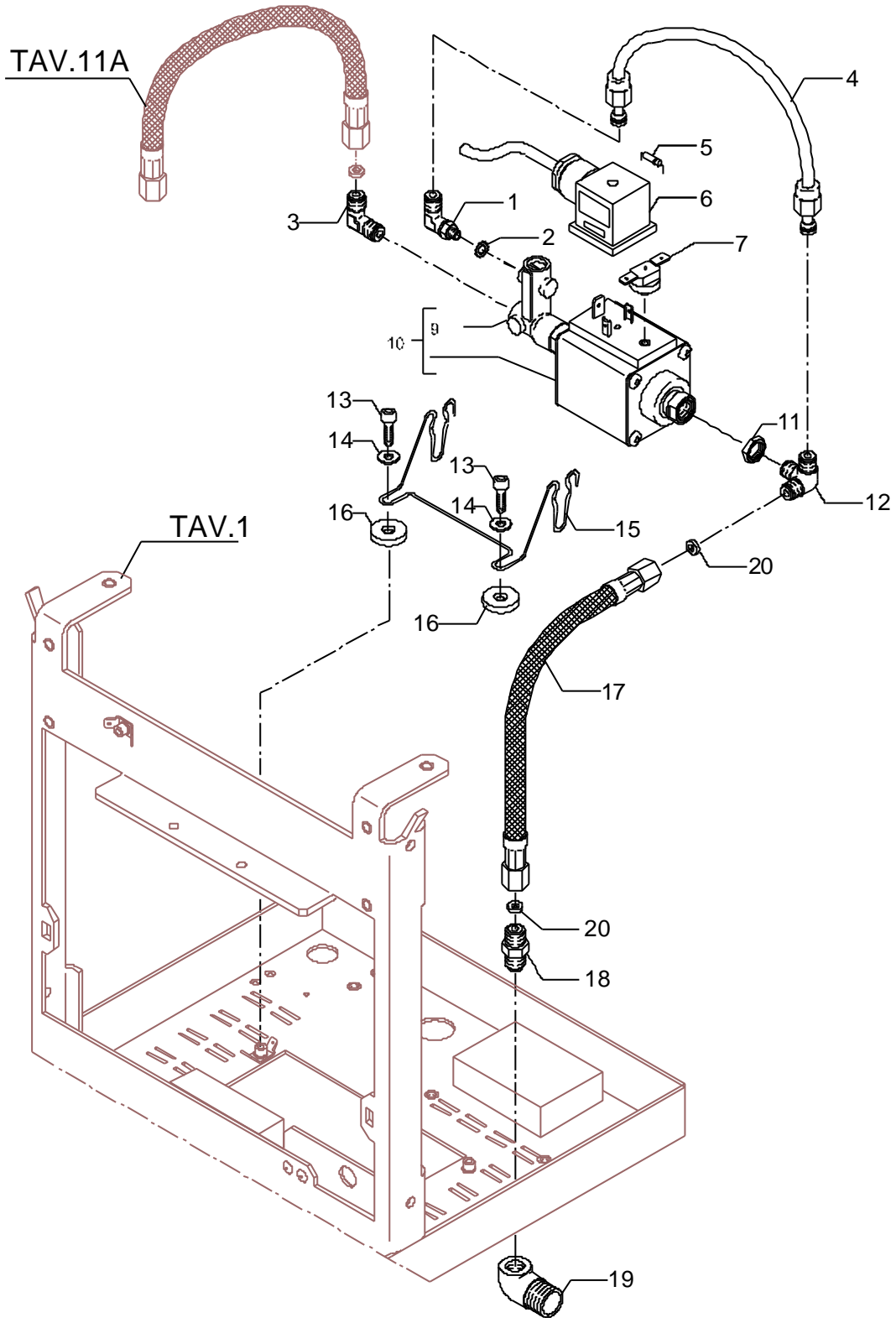




**BEZZERA**  
dal 1901

**Tav. 07A (up to 25.01.06 230/240v)**  
**(up to 30.11.06 110v)**

POS	DESCRIPTION	CODE	REFERENCE
01	ASSEMBLY FITTING FOR PUMP	5973050	BZ 065
02	NOTCHED WASHER D5 DIN 6798A A2	7814002	F 1344
03	UNION ELBOW 1/8"G	7303001	F 1141
04	BY-PASS HOSE D6 PTFE	5194521LL	BZ 066
05	DIODE	7632402	Q/4 1374
06	CONNECTOR WITH DIODE AND CABLE L=550MM	7631507LL	-
07	THERMIC SAFETY DEVICE 250V 100°C AUTOMATIC	7634805	J 680
07	THERMIC SAFETY DEVICE 250V 100°C MANUAL	7634806	Q/4 1375/100
07	THERMIC SAFETY DEVICE 250V 80°C MANUAL	7634802	Q/4 1375
09	BY-PASS FITTING	7303009	BZ 063
10	VIBRATION PUMP WITH BY-PASS 110V	7731002	LI 165/110
10	VIBRATION PUMP WITH BY-PASS 220V/240V	7731003	LI 165/220
11	NUT 1/8"G H3	5221844	F 1139
12	FITTING 3 WAY 1/8" X 1/8" X 1/8"G OT	7304505	F 1140
13	SCREW TCEI M4 X 12 UNI 5931 8.8 ZN	7806002	SIS 1
14	PLAIN WASHER D5 X 11 X 1	7805009	SIS 9
15	PUMP SUPPORT SHAPED SPRING AISI 302	5471510	LI 231
16	TAP GASKET EPT 70SH	5493023	M/5 2431EP
17	FLEXIBLE HOSE 1/8"G L=240MM	7200501	J 199
18	STRAIGHT FITTING 1/8"G OT	7304502	F 653
19	UNION ELBOW 3/8" X 1/8"G OT	5301516	LI 162
20	GASKET D8.5 X 4.2 X 1.5	7492004	J 800

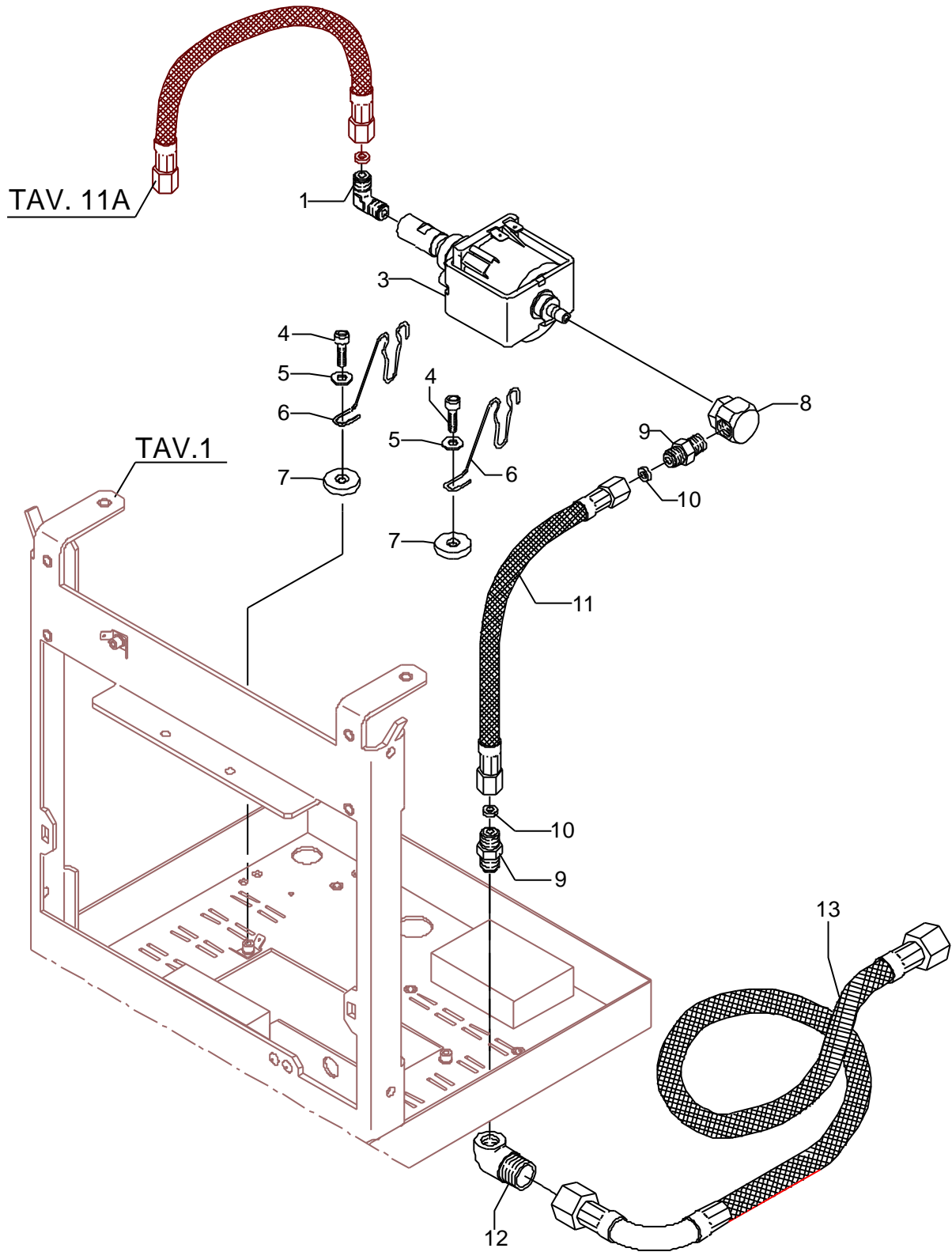




**BEZZERA**  
dal 1901

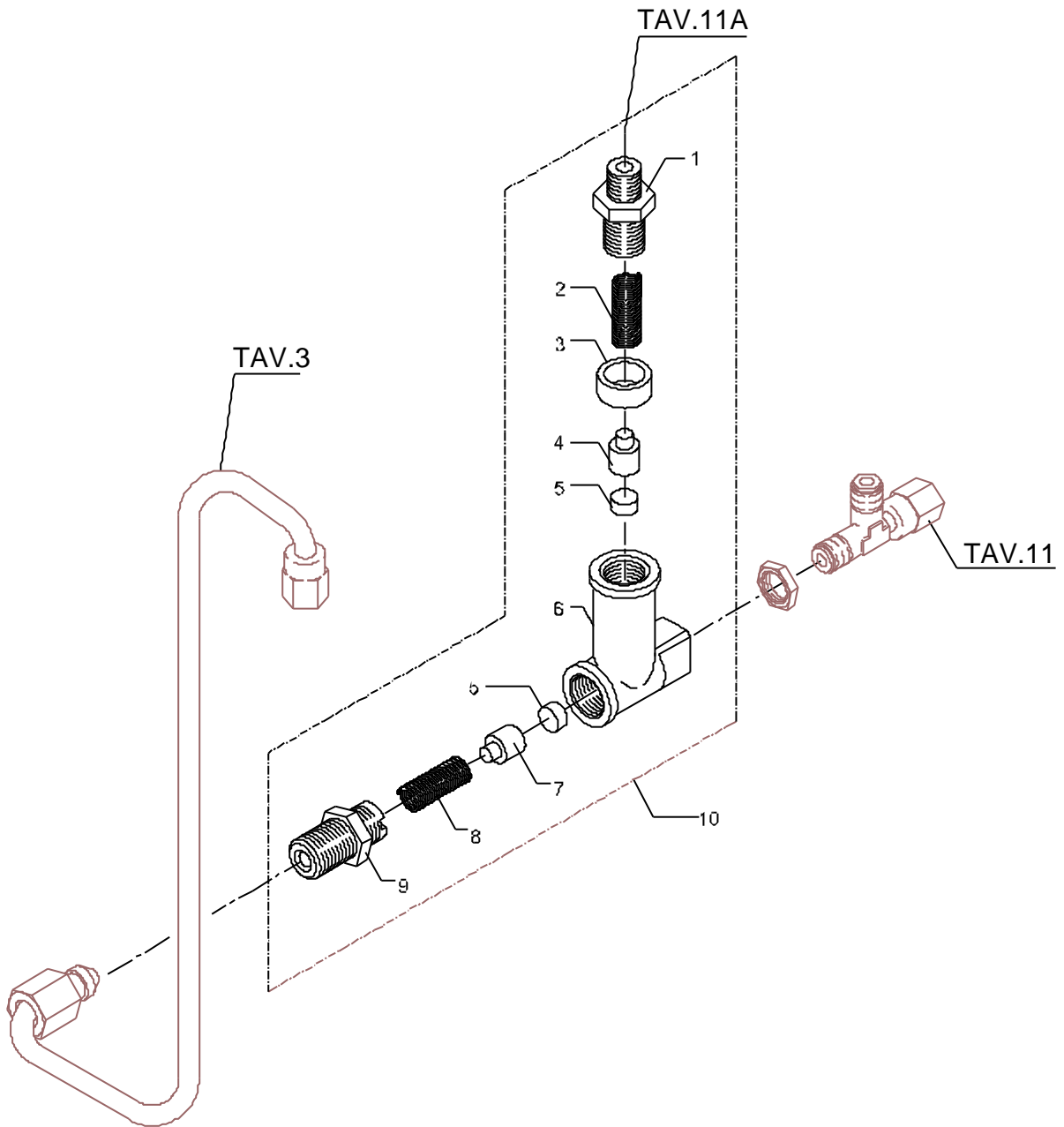
**Tav. 07A (from to 26.01.06 230/240v)**  
**(from to 01.12.06 110v)**

<b>POS</b>	<b>DESCRIPTION</b>	<b>CODE</b>	<b>REFERENCE</b>
01	UNION ELBOW 1/8"G	7303001	F 1141
03	VIBRATION PUMP EAP5 120V 50/60Hz	7731011	-
03	VIBRATION PUMP EP5 230V 50HZ	7731009	-
03	VIBRATION PUMP EAP5 240V 50/60Hz	7731014	-
04	SCREW TCEI M4 X 12 UNI 5931 8.8 ZN	7806002	SIS 1
05	PLAIN WASHER D5 X 11 X 1	7805009	SIS 9
06	PUMP SUPPORT SHAPED SPRING AISI 302	5471534	-
07	TAP GASKET EPT 70SH	5493023	M/5 2431EP
08	FITTING	5225278	-
09	STRAIGHT FITTING 1/8"G OT	7304502	F 653
10	GASKET D8.5 X 4.2 X 1.5	7492004	J 800
11	FLEXIBLE HOSE 1/8"G L=240MM	7200501	J 199
12	FITTING	5301516	-
13	FLEXIBLE HOSE 3/8x3/8"G L=1500mm	7200504	F 1120



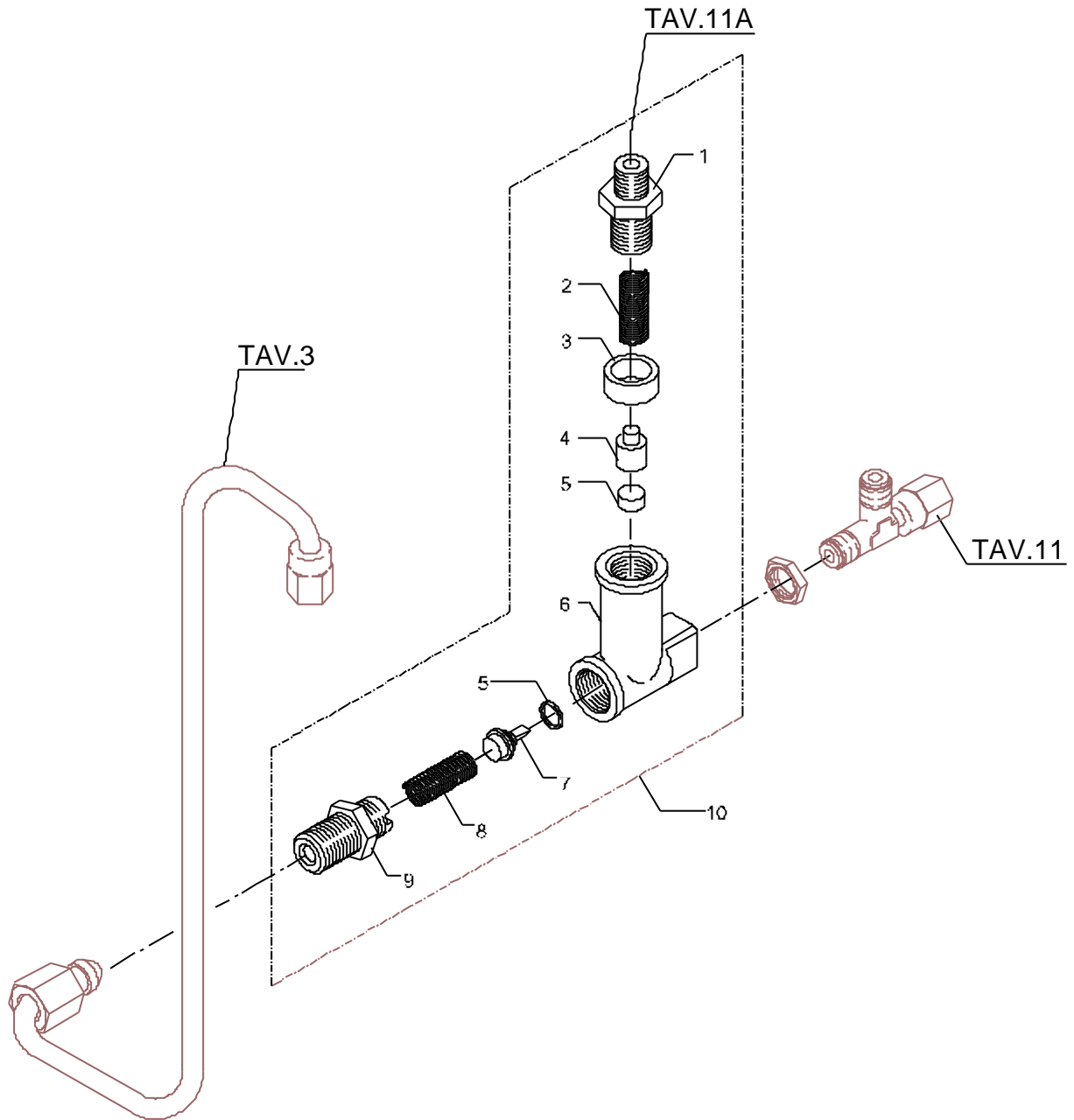


<b>POS</b>	<b>DESCRIPTION</b>	<b>CODE</b>	<b>REFERENCE</b>
01	STRAIGHT FITTING 1/8"G X M12 H29 OT	5302016	F 746
02	CALIBRATED SPRING D1 H26 AISI 302	5471506	X/1 2226
03	SPACER D16 H12.2	5222201	-
04	GASKET-HOLDER D5.3	5224609	X/1 2225
05	GASKET D8 X 4 EPT 70SH	5493001	M/9 2463EP
06	SURPRESSION VALVE BODY	5283027	F 735
07	GASKET-HOLDER D6.2	5224610	X/1 2225A
08	CALIBRATED SPRING D0.45 H22 AISI 302	5471505	X/1 2222
09	STRAIGHT FITTING M12 H26.5 OT	5302017	X/1 2221
10	ASSEMBLY SURPRESSION VALVE	5965036	-



<b>POS</b>	<b>DESCRIPTION</b>	<b>CODE</b>	<b>REFERENCE</b>
01	STRAIGHT FITTING 1/8"G X M12 H29 OT	5302016	F 746
02	CALIBRATED SPRING D1 H26 AISI 302	5471506.01	X/1 2226
03	SPACER D16 H12.2	5222201	-
04	GASKET-HOLDER D5.3	5224609	X/1 2225
05	OR GASKET 105 VITON	7496018	-
06	SURPRESSION VALVE BODY	5283041	-
07	GASKET-HOLDER	5224615	-
08	CALIBRATED SPRING D0.45 H22 AISI 302	5471505	X/1 2222
09	STRAIGHT FITTING M12 H26.5 OT	5302017	X/1 2221
10	ASSEMBLY SURPRESSION VALVE	5965036.01	-



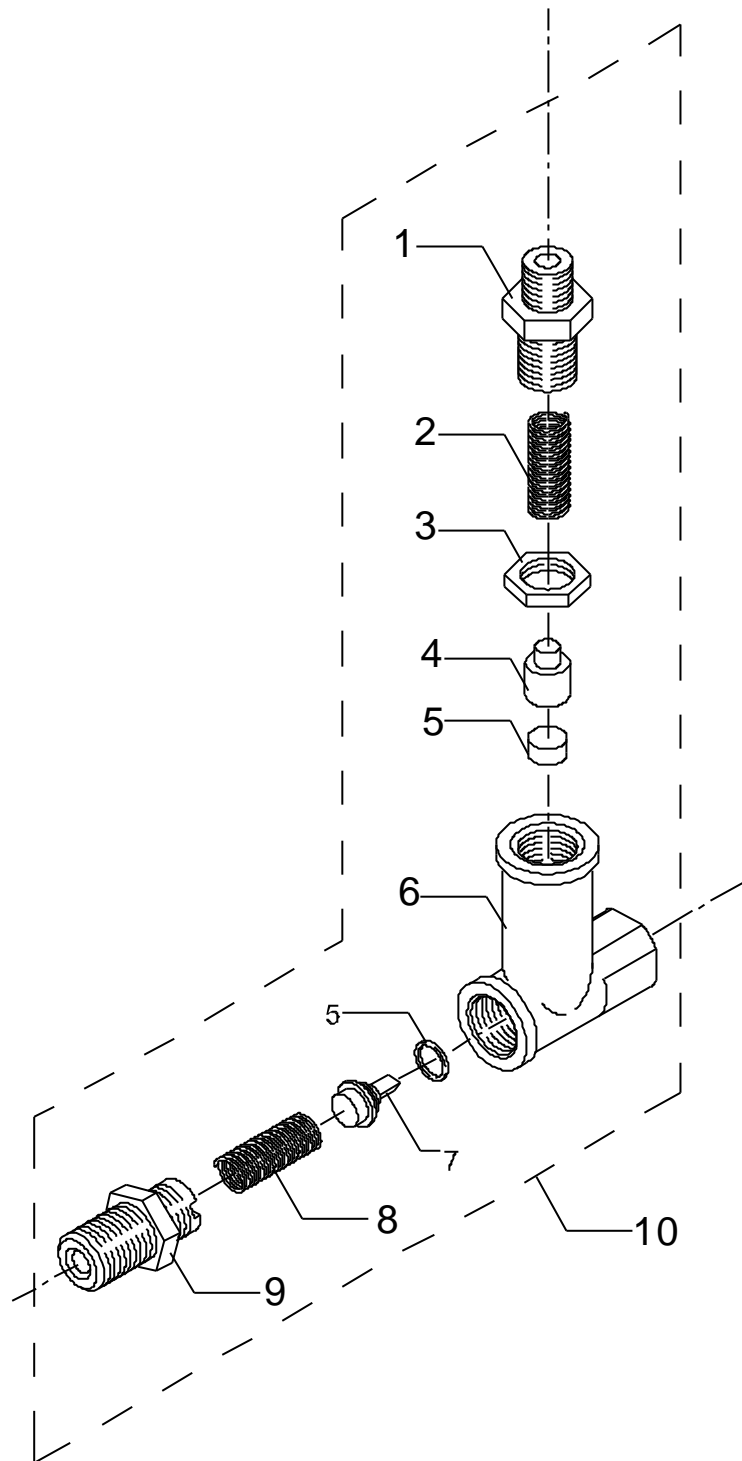




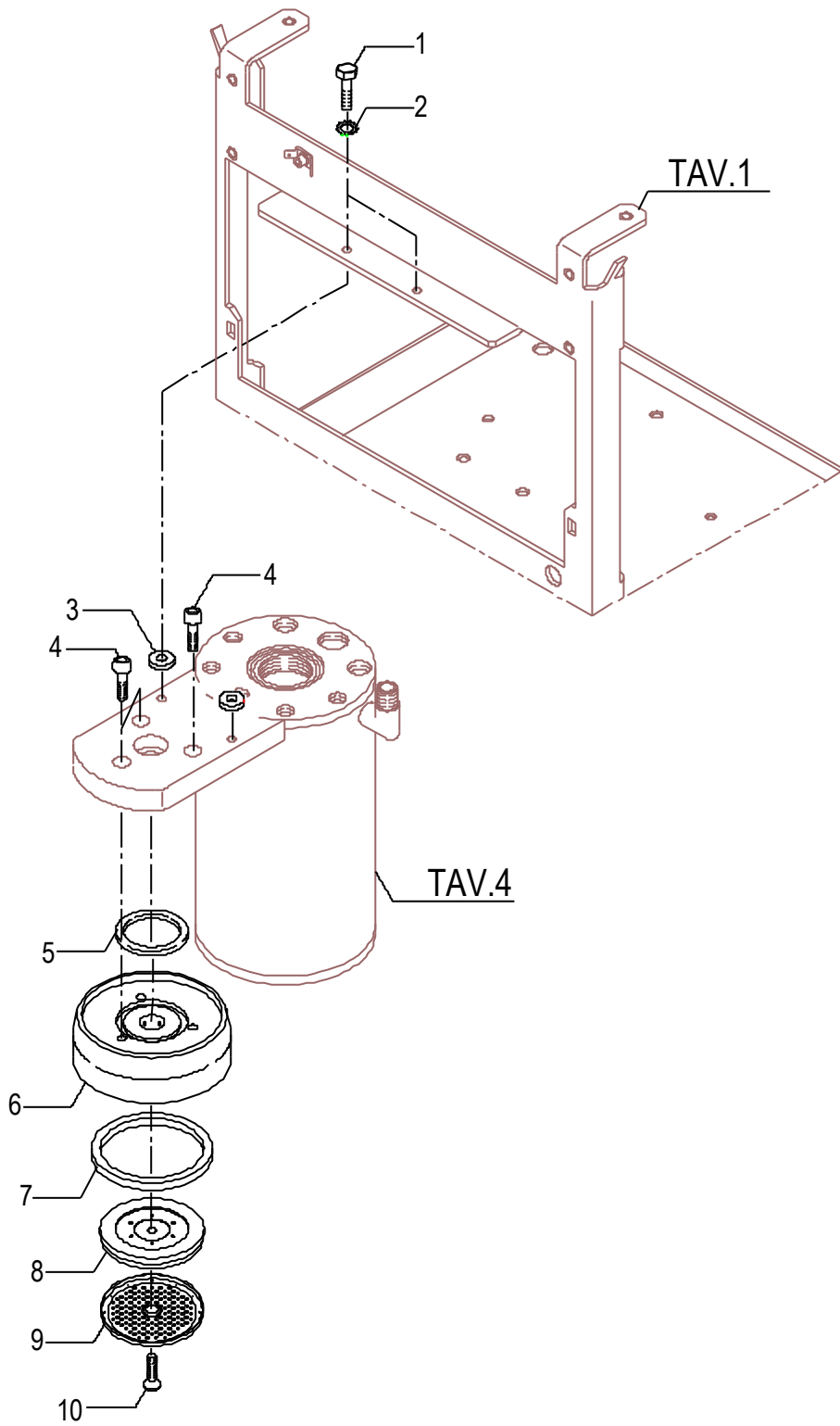
**BEZZERA**  
dal 1901

**Tav. 08A (from to 28.06.2006)**

<b>POS</b>	<b>DESCRIPTION</b>	<b>CODE</b>	<b>REFERENCE</b>
01	STRAIGHT FITTING 1/8"G X M12 H29 OT	5302016	F 746
02	CALIBRATED SPRING D1 H26 AISI 302	5471506.01	X/1 2226
03	NUT M12X1 H3,5	5221825	F 724
04	GASKET-HOLDER D5.3	5224609	X/1 2225
05	OR GASKET 105 VITON	7496018	-
06	SURPRESSION VALVE BODY	5283041	-
07	GASKET-HOLDER	5224615	-
08	CALIBRATED SPRING D0.45 H22 AISI 302	5471505	X/1 2222
09	STRAIGHT FITTING M12 H26.5 OT	5302017	X/1 2221
10	ASSEMBLY COMPLETE SURPRESSION VALVE	5965032.02	-

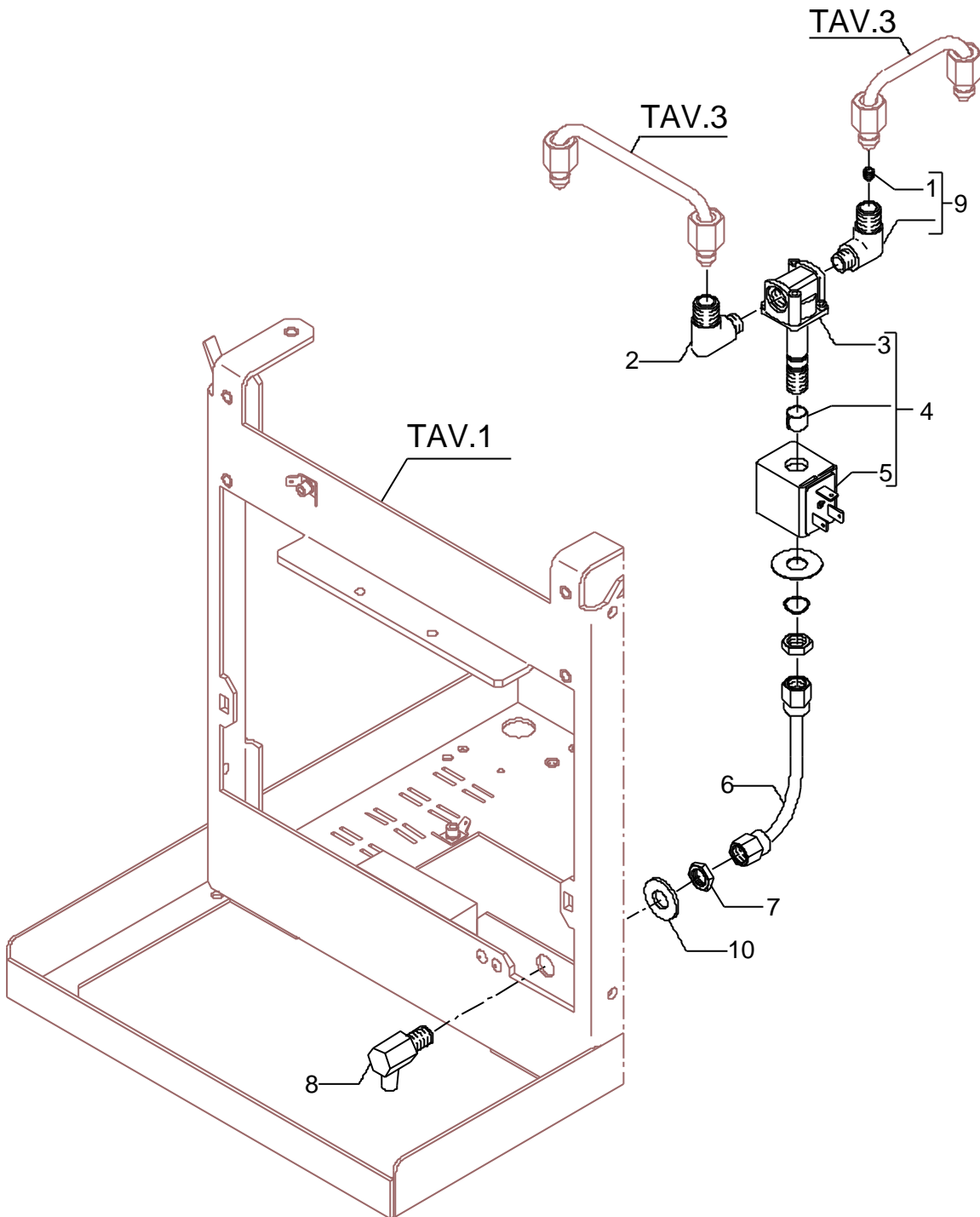


<b>POS</b>	<b>DESCRIPTION</b>	<b>CODE</b>	<b>REFERENCE</b>
01	SCREW TE M6X12 UNI 5739 A2	7816416	F 1381
02	FAN WASHER D6 DIN 6798A	7804002	F 736
03	GASKET D6.5	7492003	LI 48
04	SCREW TCEI M5X12 UNI 5931 A2	7816001	A 121
05	OR GASKET 139 VITON	7496004	A 122
06	COUPLING RING CHROMED WITH FLAT GASKET	5280505CM	-
06	COUPLING RING CHROMED	5280504.01CM	-
07	GASKET H 9,3 NBR 90SH	7493008	-
07	OR GASKET 160 VITON 70SH	7496047	A 117VM
07	OR GASKET 160 VITON 80SH	7496029	A 117/V
08	SHOWER-HOLDER D57OT	5285501	A 132
09	SHOWER D51.9 WITH NET AISI 304 (OLD TYPE)	5470504	A 119
09	SHOWER D57 AISI 304	5470501	A 130
10	SCREW TPS M5X12 DIN 963 A2 (OLD TYPE)	7817007	A 120
10	SCREW TPS M5X16 DIN 963 A2	7817001	A 131





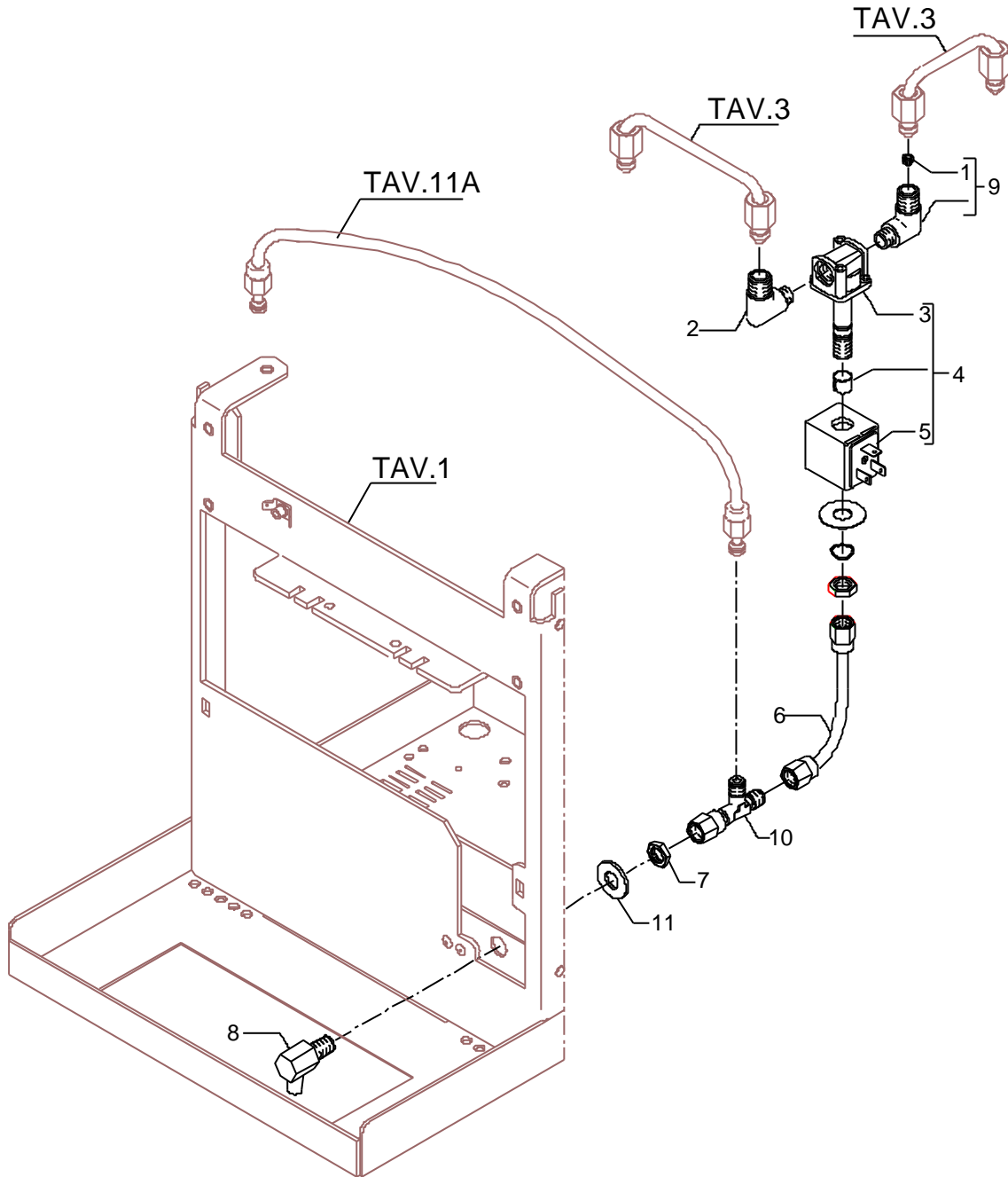
<b>POS</b>	<b>DESCRIPTION</b>	<b>CODE</b>	<b>REFERENCE</b>
01	JET M6 X 6 HOLE D1.2 OT	5223005	KB/11 1317
02	UNION ELBOW 1/8"G X M12 OT	5301504	F 1112
03	SOLENOID VALVE WITHOUT COIL SIRAI 3WAY 15 BAR	7703004	-
04	SOLENOID VALVE 3 WAY 110V SIRAI 15 BAR	7701105	-
04	SOLENOID VALVE 3 WAY 220/230V SIRAI 15 BAR	7702305	-
04	SOLENOID VALVE 3 WAY 240V SIRAI 15 BAR	7702404	-
05	SOLENOID VALVE COIL V110	7630301	Y/3 2371-110
05	SOLENOID VALVE COIL 220/230V	7630303	Y/3 2371-230
05	SOLENOID VALVE COIL V240	7630304	Y/3 2371-240
06	SOLENOID VALVE DRAIN HOSE	5194558LL	LI 70
07	NUT 1/8"G H3	5221844	F 1139
08	DRAIN FITTING FOR SURPRESSION VALVE 1/8"G OT CHROMED	5283018	LI 32
09	ASSEMBLY UNION ELBOW WITH JET	5973051	LI 81
10	WASHER D10 UNI 6592 A2	7815001	F 999





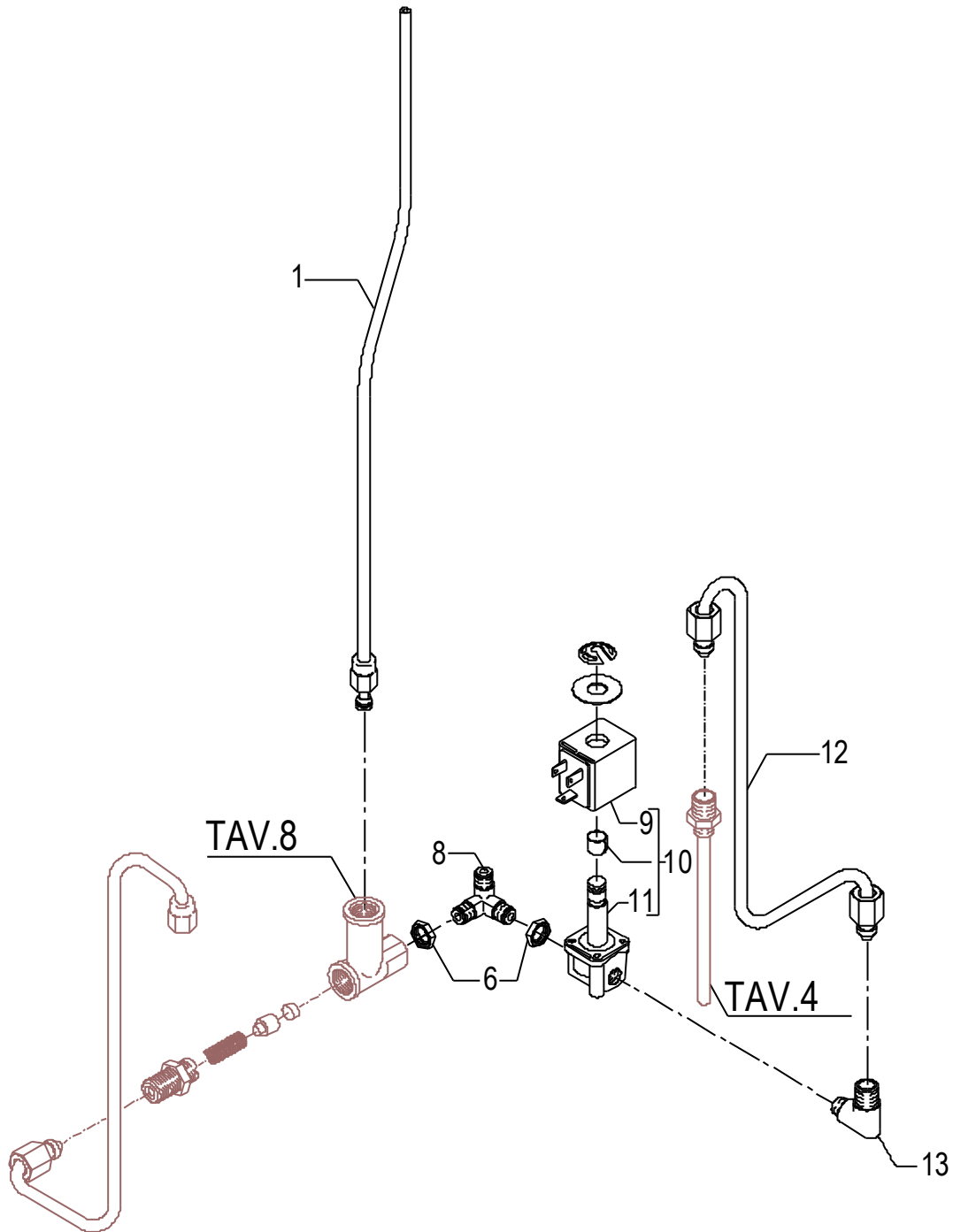
<b>POS</b>	<b>DESCRIPTION</b>	<b>CODE</b>	<b>REFERENCE</b>
01	JET M6 X 6 HOLE D1.2 OT	5223005	KB/11 1317
02	UNION ELBOW 1/8"G X M12 OT	5301504	F 1112
03	SOLENOID VALVE WITHOUT COIL SIRAI 3WAY 15 BAR	7703004	-
04	SOLENOID VALVE 3 WAY 110V SIRAI 15 BAR	7701105	-
04	SOLENOID VALVE 3 WAY 220/230V SIRAI 15 BAR	7702305	-
04	SOLENOID VALVE 3 WAY 240V SIRAI 15 BAR	7702404	-
05	SOLENOID VALVE COIL V110	7630301	Y/3 2371-110
05	SOLENOID VALVE COIL 220/230V	7630303	Y/3 2371-230
05	SOLENOID VALVE COIL V240	7630304	Y/3 2371-240
06	SOLENOID VALVE DRAIN HOSE	5194558LL	LI 70
07	NUT 1/8"G H3	5221844	F 1139
08	DRAIN FITTING FOR SURPRESSION VALVE 1/8"G OT CHROMED	5283018	LI 32
09	ASSEMBLY UNION ELBOW WITH JET	5973051	LI 81
10	ASSEMBLY BANJO UNION	5973055	LI 68
11	WASHER D10 UNI 6592 A2	7815001	F 999



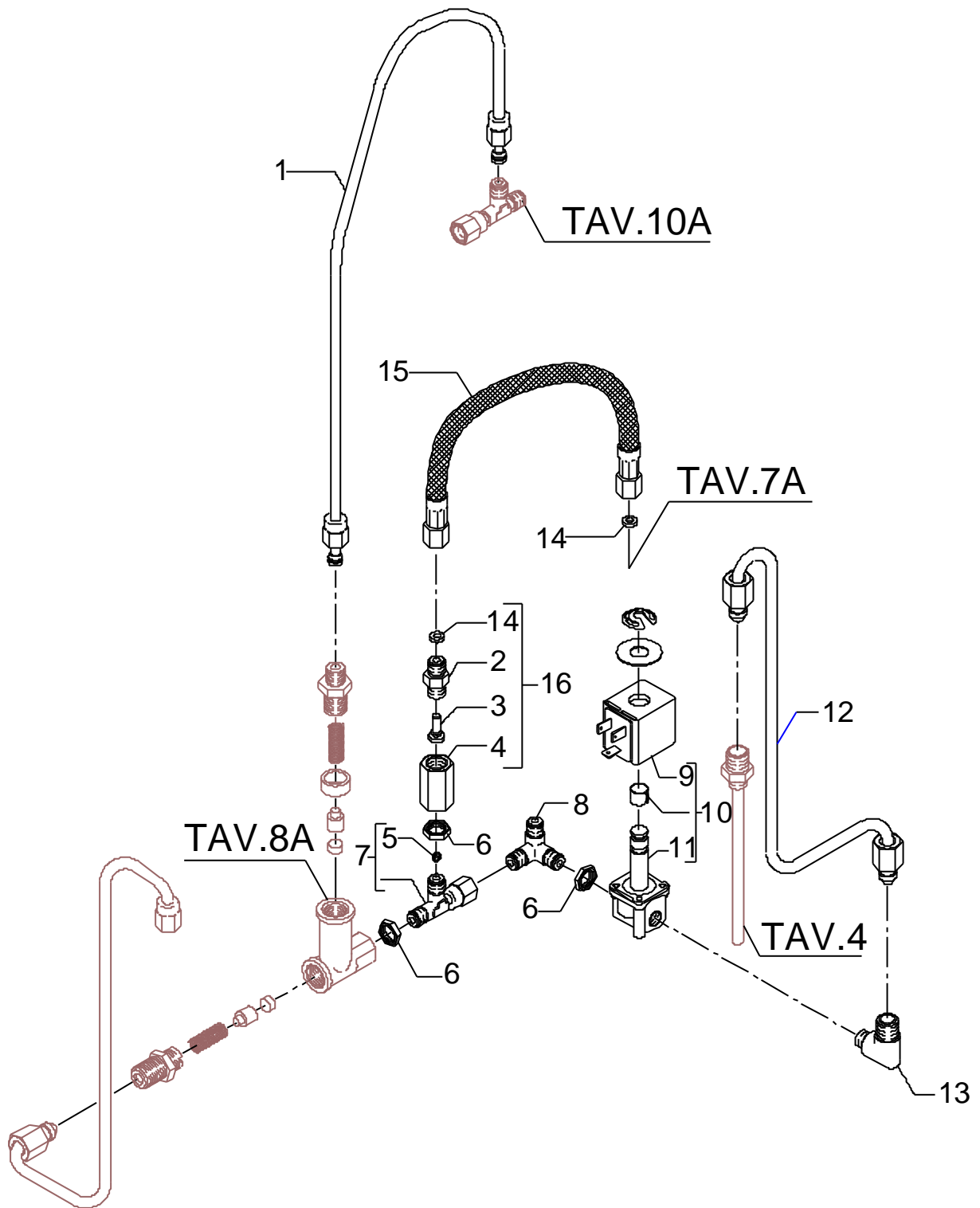




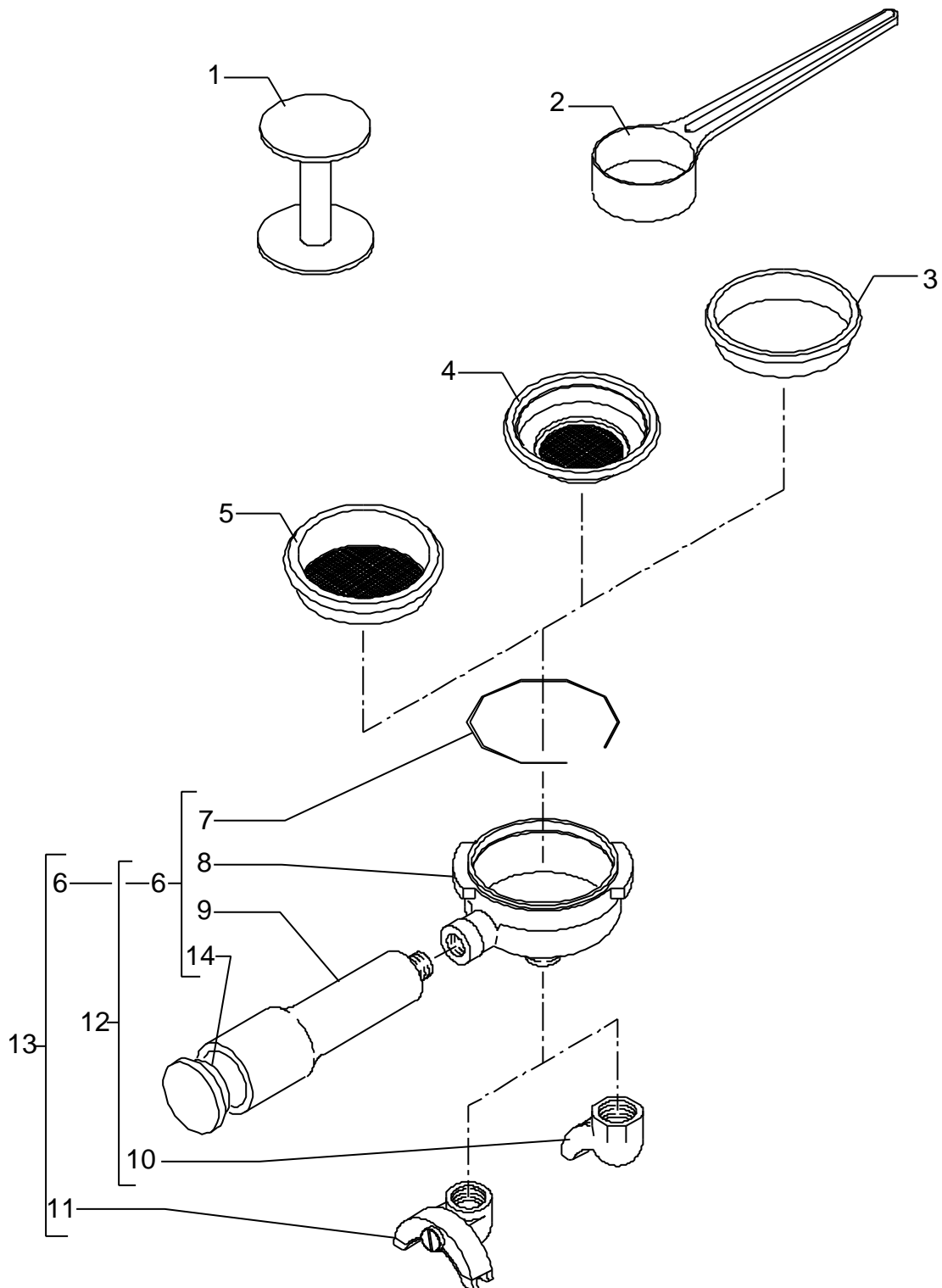
<b>POS</b>	<b>DESCRIPTION</b>	<b>CODE</b>	<b>REFERENCE</b>
01	DRAIN HOSE L=700MM SILICONE	5194542LL	-
06	NUT 1/8"G H3	5221844	F 1139
08	FITTING 3 WAY 1/8" X 1/8" X 1/8"G OT	7304505	F 1140
09	SOLENOID VALVE COIL 110V SIRAI	7630301	-
09	SOLENOID VALVE COIL 220/230V SIRAI	7630303	-
09	SOLENOID VALVE COIL 240V SIRAI	7630304	-
09	SOLENOID VALVE COIL 110V PARKER	7630327	-
09	SOLENOID VALVE COIL 220/230V PARKER	7630328	-
09	SOLENOID VALVE COIL 240V PARKER	7630329	-
10	SOLENOID VALVE 2 WAY 115V PARKER (FROM 12/06)	7701111	-
10	SOLENOID VALVE 2 WAY 230V PARKER (FROM 07/06)	7702310	-
10	SOLENOID VALVE 2 WAY 240V PARKER (FROM 04/07)	7702409	-
11	SOLENOID VALVE WITHOUT COIL SIRAI	7703009	-
12	BOILER LOAD HOSE	5162052LL	-
13	UNION ELBOW 1/8"G X M12 OT	5301504	F 1112



POS	DESCRIPTION	CODE	REFERENCE
01	SURPRESSION VALVE DRAIN HOSE	5194526LL	-
02	STRAIGHT FITTING 1/8"G WITH COUNTERSINK	7304502LL	LI 173
03	STUD D8.5 X 17.5 OT	5224002	F 1259
04	STRAIGHT FITTING 1/8"G OT	5302015	LI 174
05	OR GASKET D4.2 X 1.9 VITON	7496035	J 421
06	NUT 1/8"G H3	5221844	F 1139
07	ASSEMBLY BANJO UNION	5973055	LI 68
08	UNION ELBOW 1/8"G	7303001	F 1141
09	SOLENOID VALVE COIL 110V SIRAI	7630301	-
09	SOLENOID VALVE COIL 220/230V SIRAI	7630303	-
09	SOLENOID VALVE COIL 240V SIRAI	7630304	-
09	SOLENOID VALVE COIL 110V PARKER	7630327	-
09	SOLENOID VALVE COIL 220/230V PARKER	7630328	-
09	SOLENOID VALVE COIL 240V PARKER	7630329	-
10	SOLENOID VALVE 2 WAY 115V PARKER (FROM 12/06)	7701111	-
10	SOLENOID VALVE 2 WAY 230V PARKER (FROM 07/06)	7702310	-
10	SOLENOID VALVE 2 WAY 240V PARKER (FROM 04/07)	7702409	-
11	SOLENOID VALVE WITHOUT COIL SIRAI	7703009	-
12	BOILER LOAD HOSE	5162052LL	-
13	UNION ELBOW 1/8"G X M12 OT	5301504	F 1112
14	GASKET D8.5 X 4.2 X 1.5	7492004	J 800
15	FLEXIBLE HOSE 1/8"G L=240MM	7200501	J 199
16	ASSEMBLY CHECK VALVE	5965038	LI 175



<b>POS</b>	<b>DESCRIPTION</b>	<b>CODE</b>	<b>REFERENCE</b>
01	COFFEE-PRESS ABS	5373001	H 862
02	MEASURER ABS	5372101	H 861
03	BLIND FILTER AISI 304	5471003	H 855
04	FILTER 1 CUP 5 GRAMS	5471010	H 874
04	FILTER 1 CUP 6 GRAMS	5471004	H 856
04	FILTER 1 CUP 8 GRAMS AISI 304	5471011	H 857
05	FILTER 2 CUPS 12 GRAMS	5471007	H 852
05	FILTER 2 CUPS 14 GRAMS AISI 304	5471009	H 859
06	FILTER-HOLDER WITHOUT SPOUT GREY	5965535	H 840
07	SHAPED SPRING D1.4 AISI 302	5471507	H 817
08	FILTER-HOLDER D62	5286007.01CM	-
09	FILTER-HOLDER KNOB	7371502	H 839
10	SPOUT 1 WAY	7305006	H 829
10	SPOUT 1 WAY SHORT	7288505	H 849
11	SPOUT 2 WAY	7305007	H 815
11	SPOUT 2 WAY SHORT	7288501	H 831
12	ASSEMBLY COMPLETE FILTER-HOLDER 1 CUP	5965514	H 843
12	ASSEMBLY COMPLETE FILTER-HOLDER 1 CUP (WITH SHORT SPOUT)	5975504	H 850
13	ASSEMBLY COMPLETE FILTER-HOLDER 2 CUPS	5965515	H 844
13	ASSEMBLY COMPLETE FILTER-HOLDER 2 CUPS (WITH SHORT SPOUT)	5975505	H 845
14	PLUG	5373915	-





<b>POS</b>	<b>DESCRIPTION</b>	<b>CODE</b>	<b>REFERENCE</b>
01	PRESSURE GAUGE D41 0-2.5 BAR PAINTED	7432501	-
02	GROUP FRONTAL PRESSURE GAUGE VERSION	5074205LL	STAR 040
03	CAPILLARY 1/8" M12X1	7400901	-
04	PRESSOSTAT XP/100 1/4"G CALIBRATION 1.2 BAR (SPECIAL)	7433008	-
04	PRESSOSTAT XP/100 1/4"G CALIBRATION 1 BAR (STANDARD)	7433002	-



