

# BZ16



**BEZZERA**

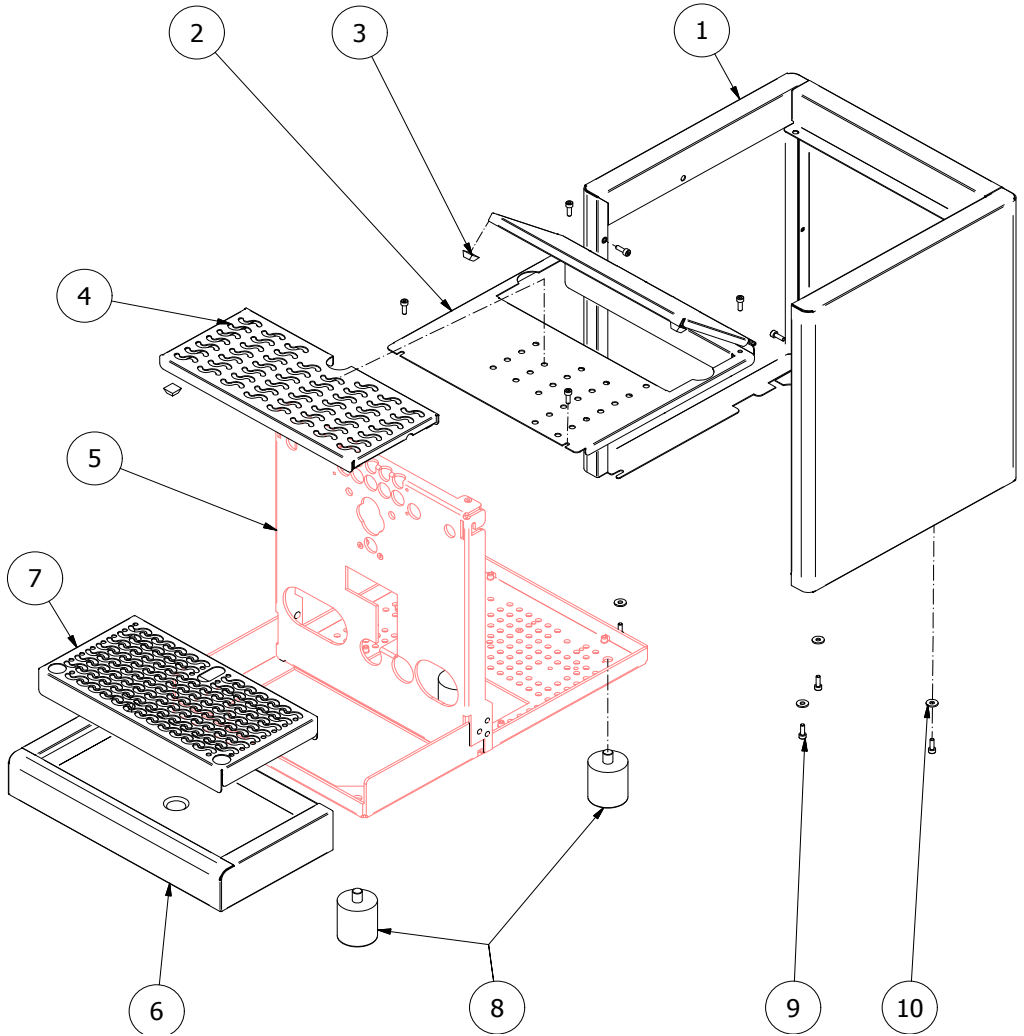
Dal 1901

**COD. 9942064**

**REV.00**

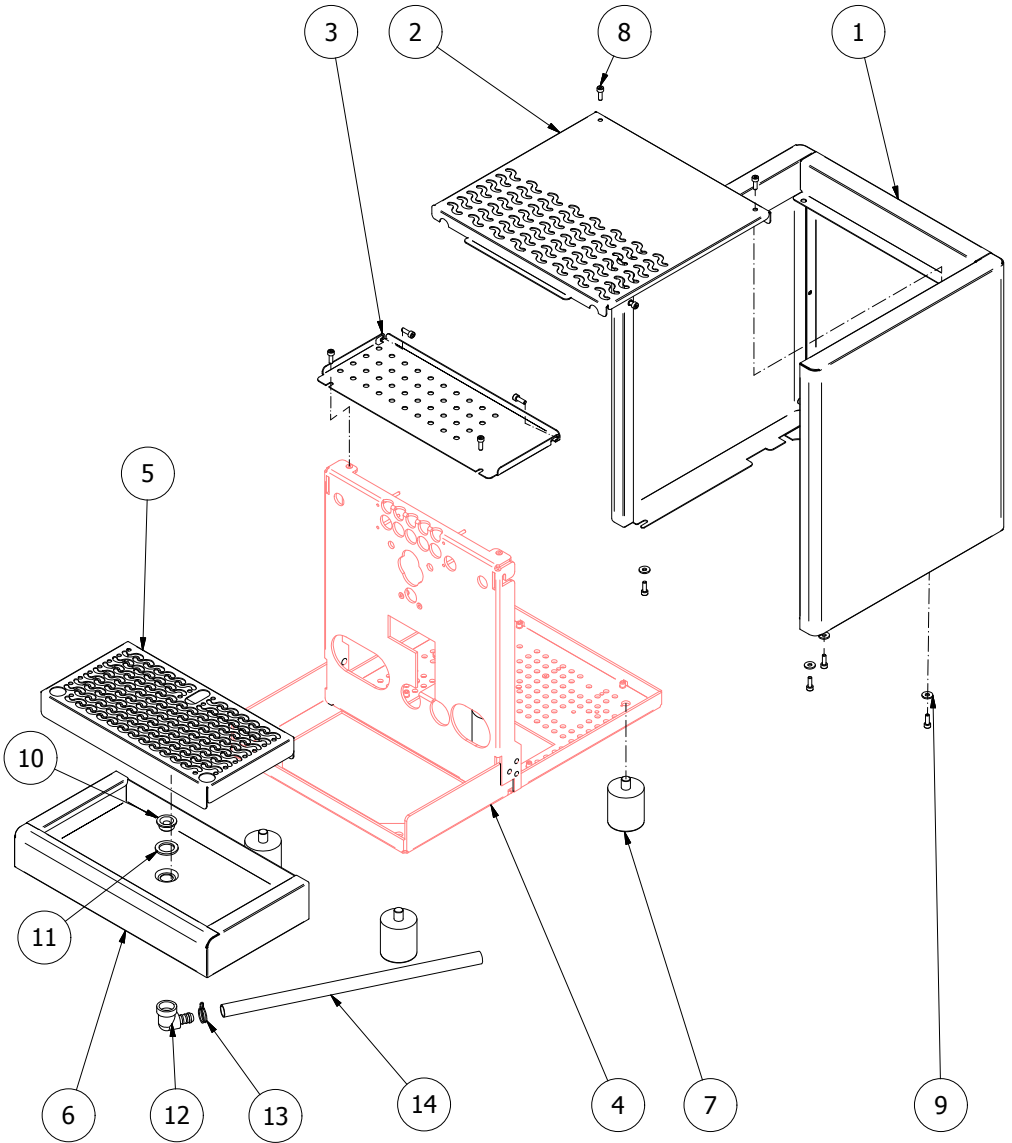
	POS	CODE	DESCRIPTION
<b>TABLE 1Mod S.</b>	1	5344025.01	BODY STAINLESS STEEL POLISHED
	2	5961602.01	ASSEMBLY CUPS-HEATER
	3	7474217	ADHESIVE FEET
	4	5074617LW	CUPS-HEATER GRID BZ07 BA
	5	5340015LL	BLACK CHASSIS (PM version)
	5	5344016LL	BLACK CHASSIS (DE version)
	6	5340503DL	DRIP TRAY STAINLESS STEEL POLISHED
	7	5074617LW	DRIP TRAY GRID STAINLESS STEEL POLISHED
	8	7474218	FOOT
	9	7816002	SCREW TCEI M4X12
10	7809804	WASHER D4X12	

**TABLE 1**  
**Mod S.**



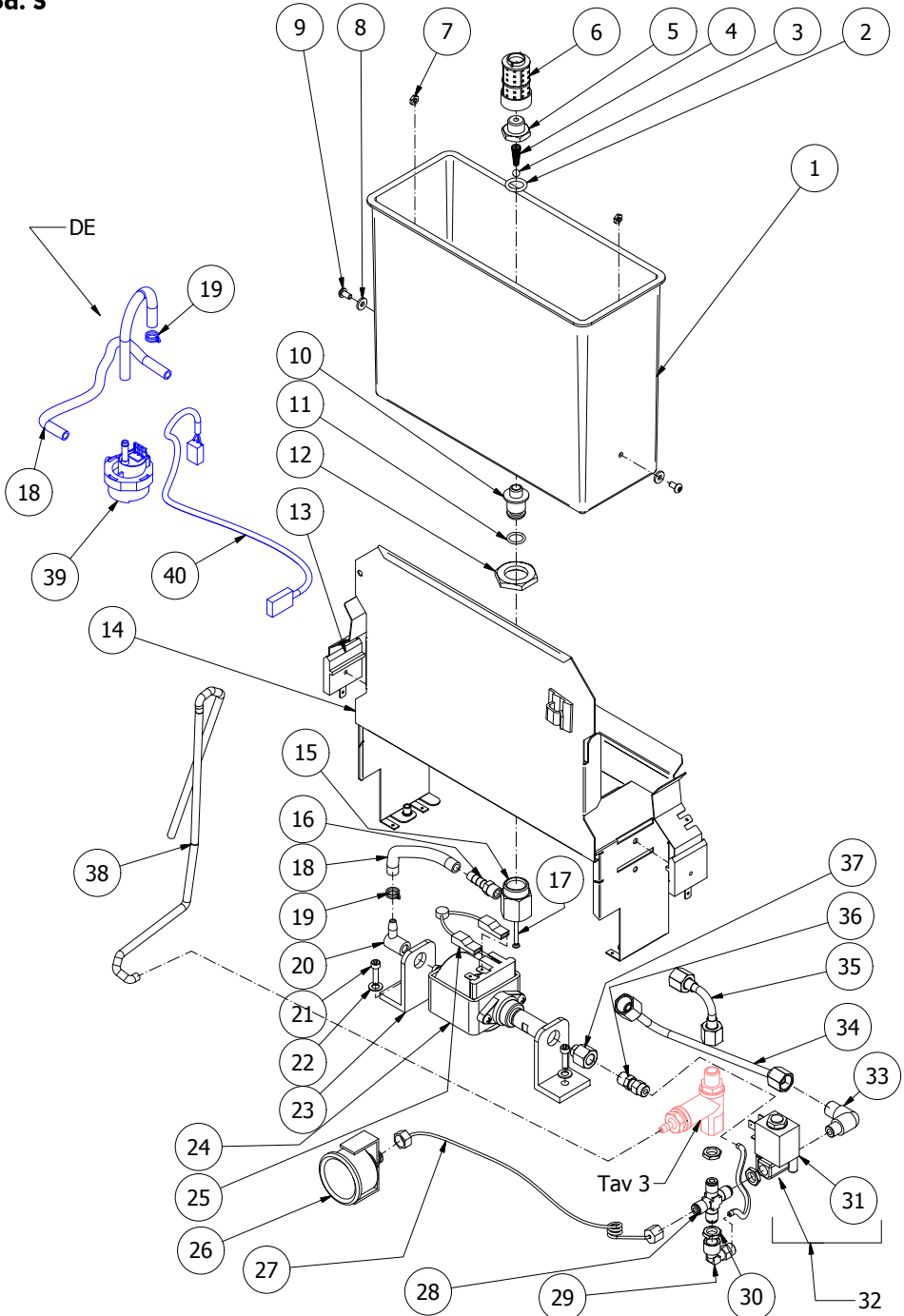
	POS	CODE	DESCRIPTION
<b>TABLE 1A Mod. R</b>	1	5344025.01	BODY STAINLESS STEEL POLISHED
	2	5074620LW	CUPS-HEATER GRID BZ07 BA
	3	5056330LL	CUPS-HEATER
	4	5340017LL	BLACK CHASSIS (PM version)
	4	5340018LL	BLACK CHASSIS (DE version)
	5	5074617LW	DRIP TRAY GRID STAINLESS STEEL POLISHED
	6	5340503LL	DRIP TRAY STAINLESS STEEL POLISHED
	7	7474218	FOOT
	8	7816002	SCREW TCEI M4X12
	9	7809804	WASHER D4X12
	10	5225230	UNION 3/8"G
	11	5492022	GASKET Ø25X17X2
	12	5224403	RUBBER-HOLDER D11 OT
	13	7611502	CLAMP D14
14	7303502	HOSE D14 L=1.5M PLASTIC	

**TABLE 1A**  
**Mod. R**



	POS	CODE	DESCRIPTION
<b>TABLE 2 Mod. S</b>	1	7373006.03	TANK
	2	7496073.01	OR GASKET 115 EP856
	3	5471509	BALL 7/32 AISI 304
	4	5471521.01	COUPLING SPRING
	5	5302065	FITTING 1/4"GXM10
	6	7374002	FILTER 1/4"G PLASTIC
	7	7812601	NUT M4 STAINLESS STEEL
	8	7374004	WASHER D4 NYLON
	9	7819908	SCREW TTEI M4X8
	10	5224617	GASKET-HOLDER D14.5
	11	7496076	OR GASKET 112 EPDM
	12	5221830	NUT M20 H5 OT
	13	5471535	TANK SPRING
	14	5963009.03	ASSEMBLY TANK SUPPORT
	15	5225228	FITTING M20X1,25
	16	5225246	UNION
	17	7826206	SCREW TCI M3X30 OT
	18	5194529	CRISTAL HOSE D6 X 9 L=150MM
	18	5194632LL	CRISTAL HOSE D8X5X1.5
	19	7611512	CLAMP
	20	7303006	RIBBER-HOLDER FITTING
	21	7816004	SCREW TCEI M4X16
	22	7805009	PLAIN WASHER D5 X 11 X 1
	23	7470602	VIBRATION-DAMPING
	24	7731018	VIBRATION PUMP EX5 100V C/OR
	24	7731019	VIBRATION PUMP EX5 120V WITH OR
	24	7731022	VIBRATION PUMP EX5 220V 60HZ WITH OR
	24	7731020	VIBRATION PUMP EX5 230V WITH OR
	24	7731021	VIBRATION PUMP EX5 240V WITH OR
25	7634816	THERMIC SAFETY DEVICE 100°C AUTOMATIC	
26	7432523	PRESSURE GAUGE D40 BAR	
27	7400902	PUMP PRESSURE GAUGE CAPILLARY	
28	7304001	UNION 1/8"G	
29	7303034TR	UNION ELBOW 1/8"G OT	

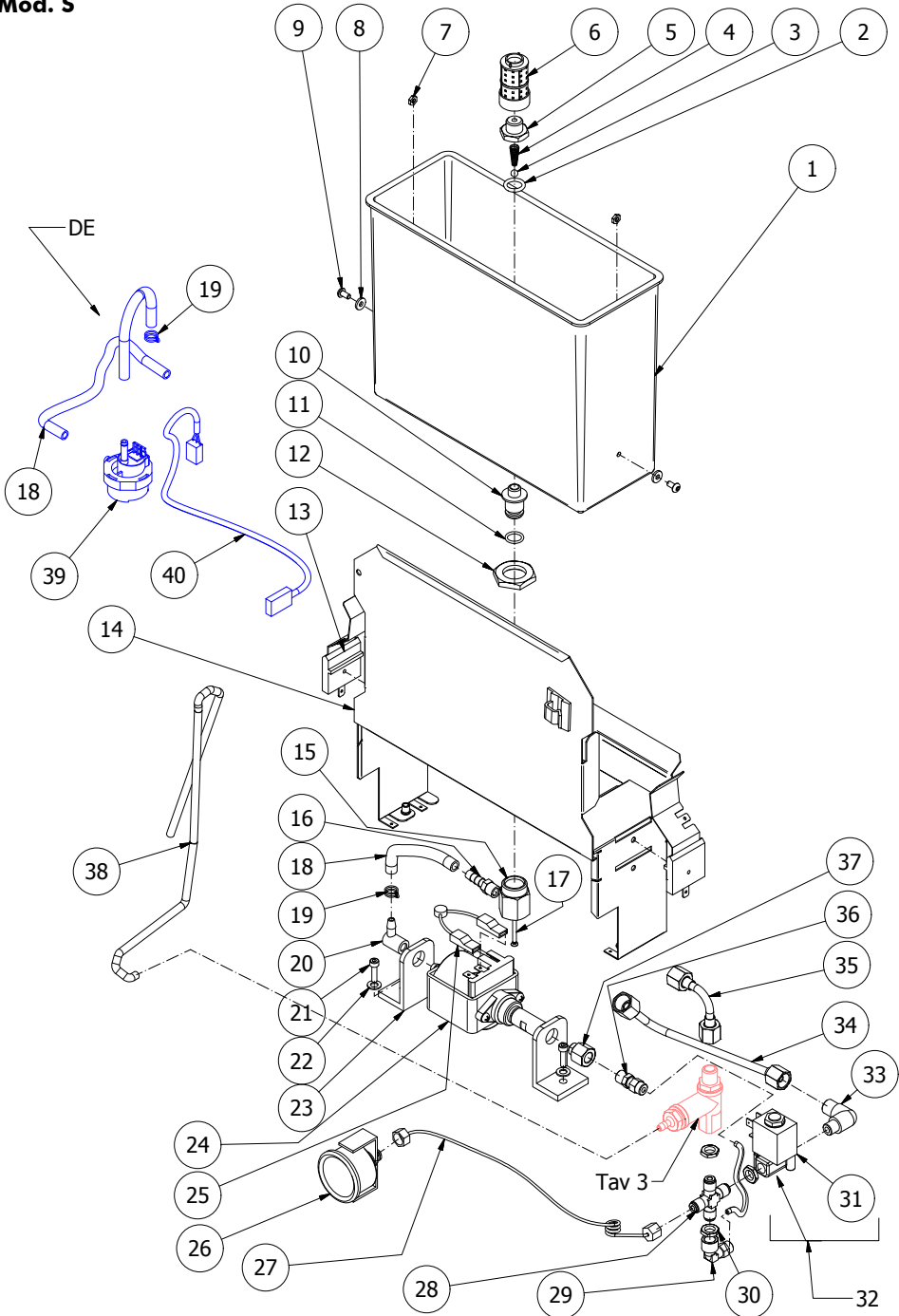
**TABLE 2**  
**Mod. S**



	POS	CODE	DESCRIPTION
<b>TABLE 2 Mod. S</b>	30	5221844	NUT 1/8"G H3
	31	7630327	SOLENOID VALVE COIL 110V PARKER
	31	7630328	SOLENOID VALVE COIL 220/230V PARKER
	31	7630329	SOLENOID VALVE COIL 240V PARKER
	32	7702310	SOLENOID VALVE 2 WAY 230V PARKER
	32	7702409	SOLENOID VALVE 2 WAY 240V PARKER
	32	7701111	SOLENOID VALVE 2 WAY 115V PARKER
	33	5301504TR	UNION ELBOW 1/8"G X M12
	34	5162237.01LL	BOILER LOAD HOSE
	35	5162236.01LL	SURPRESSION VALVE/HEAT EXCHANGER HOSE
	36	7303036TR	STRAIGHT UNION 1/8"G OT
	37	5225418TP	UNION WITH OR HOUSING 1/8"G
	38	5194508,01	SURPRESSION VALVE DRAINING HOSE
	39	7431002	LOW PRESSION VOLUMETRIC COUNTER
	40	7663595	VOLUMETRIC COUNTER CABLE BZ16DE S

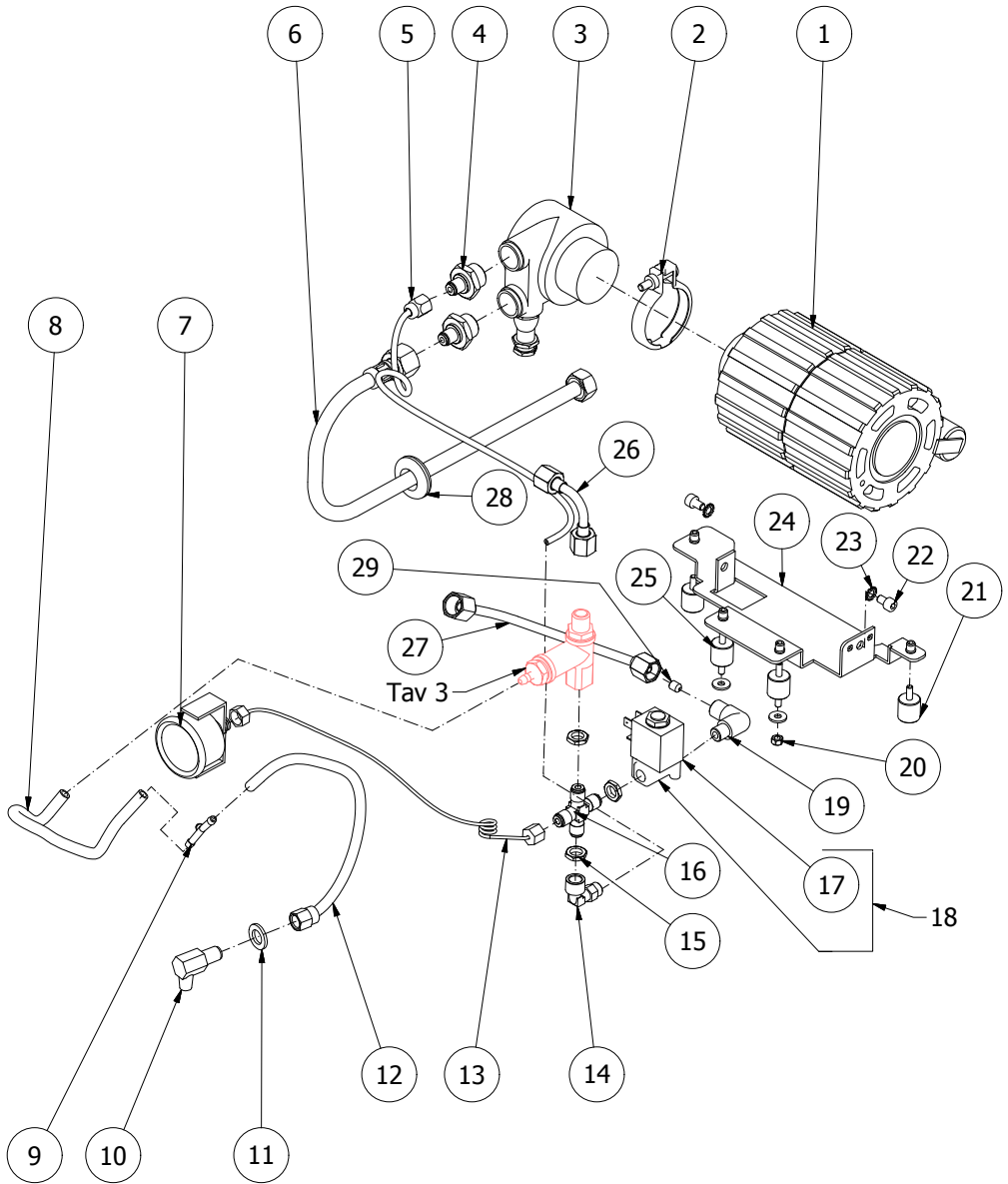


**TABLE 2**  
**Mod. S**



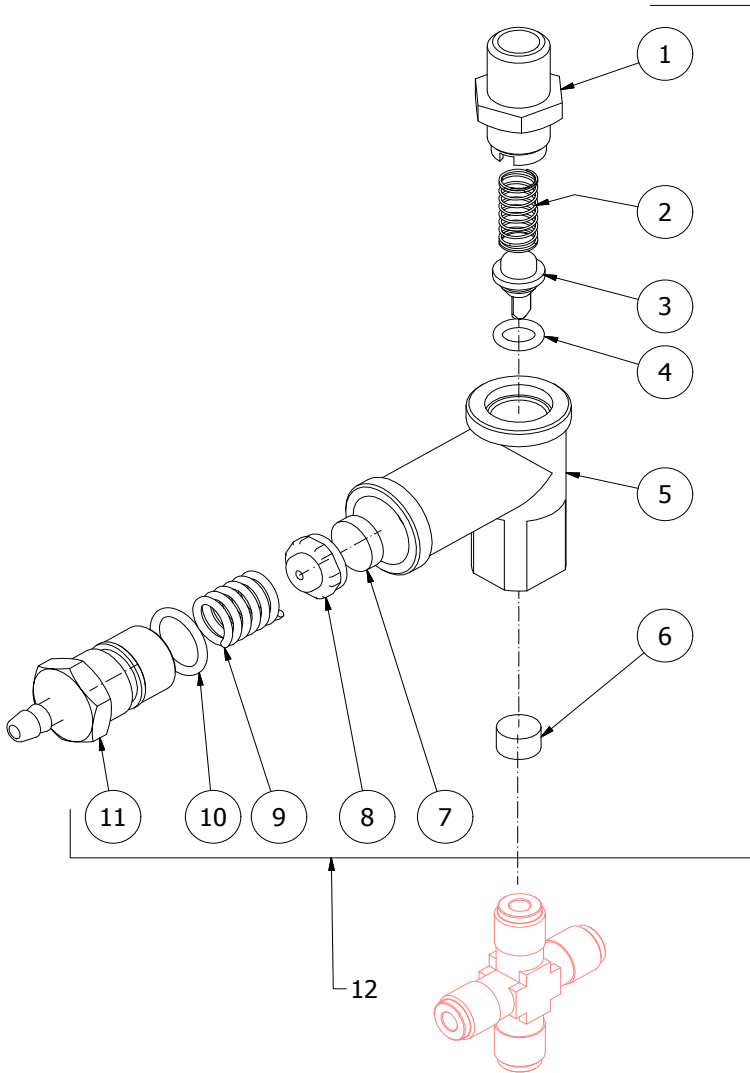
	POS	CODE	DESCRIPTION
<b>TABLE 2A Mod.R</b>	1	7741005	ELECTRIC MOTOR 110V
	1	7742404	ELECTRIC MOTOR 220/240V 50/60HZ
	2	7611508	PUMP CLAMP
	3	7730509	PUMP 50-70L/H+CLAMP+JOINT
	4	5302023	STRAIGHT FITTING 1/8"G X 3/8"G
	5	5194574.01LL	PUMP-SOLENOID VALVE HOSE
	6	7200514	INOX FLEXIBLE HOSE 3/8"X1/8" L=1500MM
	7	7432523	PRESSURE GAUGE D40 16BAR
	8	5194633	HOSE D6X4 L=200MM SILICONE
	9	7303033	"Y" UNION D2.7
	9	7816027	SCREW TCEI M5X8
	10	5283018CM	ELBOW UNION 1/8"G CHROMED
	11	7815001	WASHER D10 UNI 6592 A2
	12	5194566LL	DRAIN LITTLE HOSE
	13	7400902	PUMP PRESSURE GAUGE CAPILLARY
	14	7303034TR	UNION ELBOW 1/8"G OT
	15	5221844	NUT 1/8"G H3
	16	7304001TR	CROSS FITTING 1/8"G
	17	7630327	SOLENOID VALVE COIL 110V PARKER
	17	7630328	SOLENOID VALVE COIL 220/230V PARKER
	17	7630329	SOLENOID VALVE COIL 240V PARKER
	18	7701111	SOLENOID VALVE 2 WAY 115V PARKER
	18	7702310	SOLENOID VALVE 2 WAY 230V PARKER
	18	7702409	SOLENOID VALVE 2 WAY 240V PARKER
	19	5301504TR	ELBOW UNION 1/8"G X M12
	20	7822603	NUT M4
	21	7474219	FOOT
	22	7816027	SCREW TCEI M5X8
	23	7814002	NOTCHED WASHER D5 DIN 6798A A2
24	5037837.01LL	PUMP SQUARE	
25	7470604	VIBRATION-DAMPING	
26	5162236.01LL	SURPRESSION VALVE - HEAT EXCHANGER HOSE	
27	5162237.01LL	BOILER LOAD HOSE	
28	7613004	FAIRLEAD	
29	5223003	JET M6 X 6 HOLE D0.8 OT	

**TABLE 2A**  
**Mod. R**



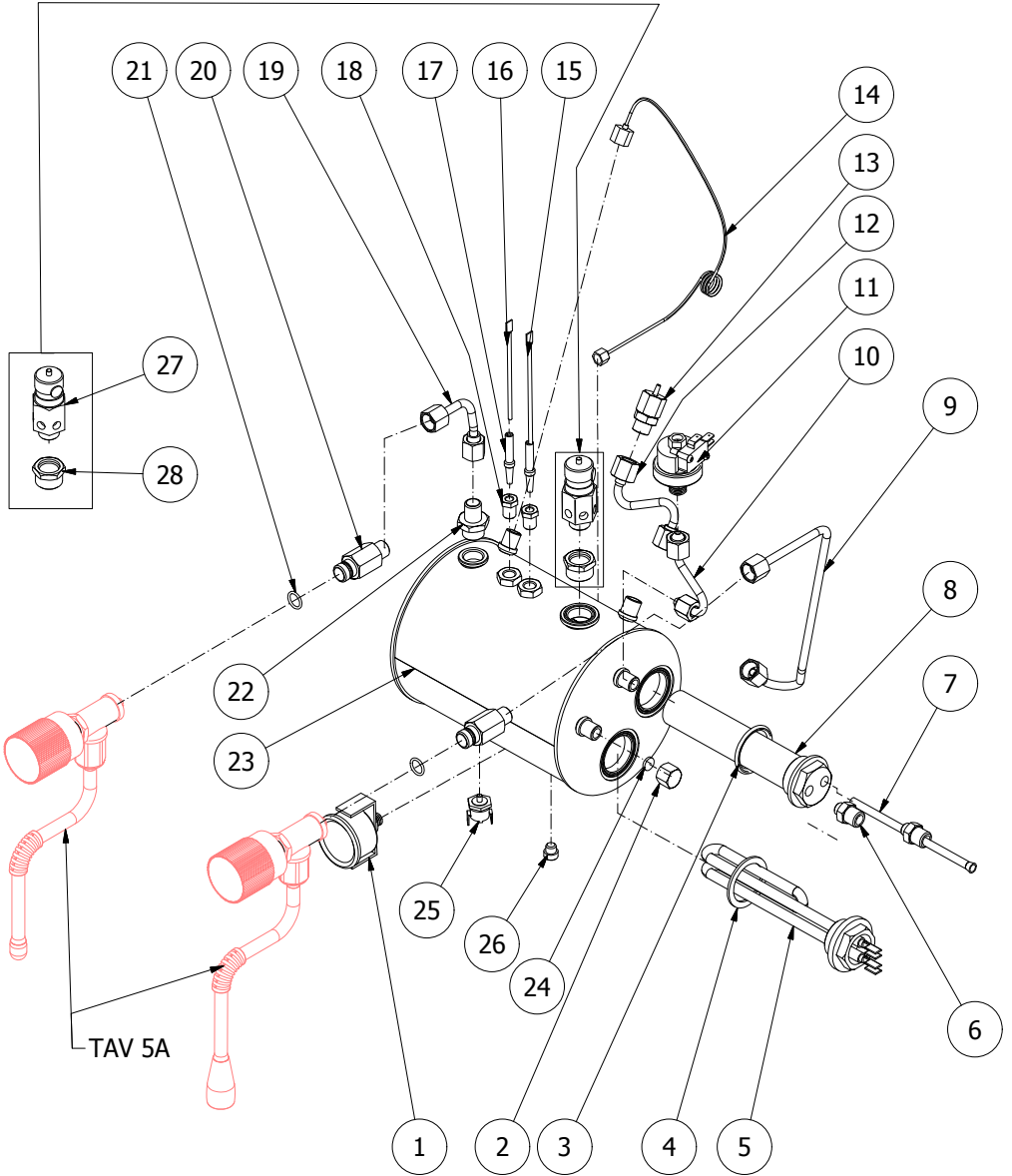
	POS	CODE	DESCRIPTION
<b>TABLE 3</b>	1	5302017TP	STRAIGHT FITTING M12
	2	5471505	CALIBRATED SPRING D0.45
	3	5224615TP	GASKET-HOLDER
	4	7496018	GASKET OR 105
	5	5283053TP	SURPRESSION VALVE BODY
	6	5471019	INOX WIRE FILER D8,5X5 AISI304
	7	5493042	GASKET D.11X3
	8	5224620TP	GASKET-HOLDER
	9	5471539	CALIBRATED SPRING D.1,6
	10	7496052	OR GASKET 114
	11	5302077TP	RUBBER-HOLDER FITTING
	12	5965212.01AL	ASSEMBLY SURPRESSION VALVE 12BAR

TABLE 3



	POS	CODE	DESCRIPTION
<b>TABLE 4</b>	1	7432522	PRESSURE GAUGE D40 3BAR
	2	5221813	CAP NUT M12
	3	5495007	GASKET D32 X 3 BRASS
	4	5492025	GASKET D42x32x2 PTFE
	5	5721127TP	HEATING ELEMENT 1350 110V
	5	5722240TP	HEATING ELEMENT 220/240V - 1250/1450W
	6	5302006TP	STRAIGHT FITTING 1/8"G X M12
	7	5192301	SUCTION HOSE D6 L=130MM PTFE
	8	5329019DC-AL	2 HOLES HEAT EXCHANGER 140MM
	9	5162233LL	WATER TAP HOSE
	10	5162235LL	PRESSOSTAT HOSE
	11	7433013	PRESSURE SWITCH
	12	5162239.01LL	VALVE HOSE
	13	7452511	VALVE
	14	7400901	PRESSURE GAUGE CAPILLARY
	15	5265812	MINIMUM LEVEL PROBE D3 X 110 X 4.8
	16	5265819	LEVEL PROBE D3 X 80 X 6.3
	17	5192001	PROBE SHEATH D8 X 45 HOLE D3 PTFE
	18	5225205	STRAIGHT FITTING M10 OT
	19	5162234LL	STEAM TAP HOSE
	20	5225417TP	FITTING M14XM13
	21	7496052	ORING 114 VITON
	22	5302005	STRAIGHT FITTING 3/8"G X M13
	23	5320501.02BL	ASSEMBLY BOILER POLISHED
	24	5492008	GASKET D10.5 X 2
	25	7634808	AUTOMATIC THERMAL PROTECTOR
	26	5227002	SCREW M8 X 6 OT
	27	742509.02	SECURITY VALVE 3/8"G
28	5225413	FITTING 1/2"X3/8"G	

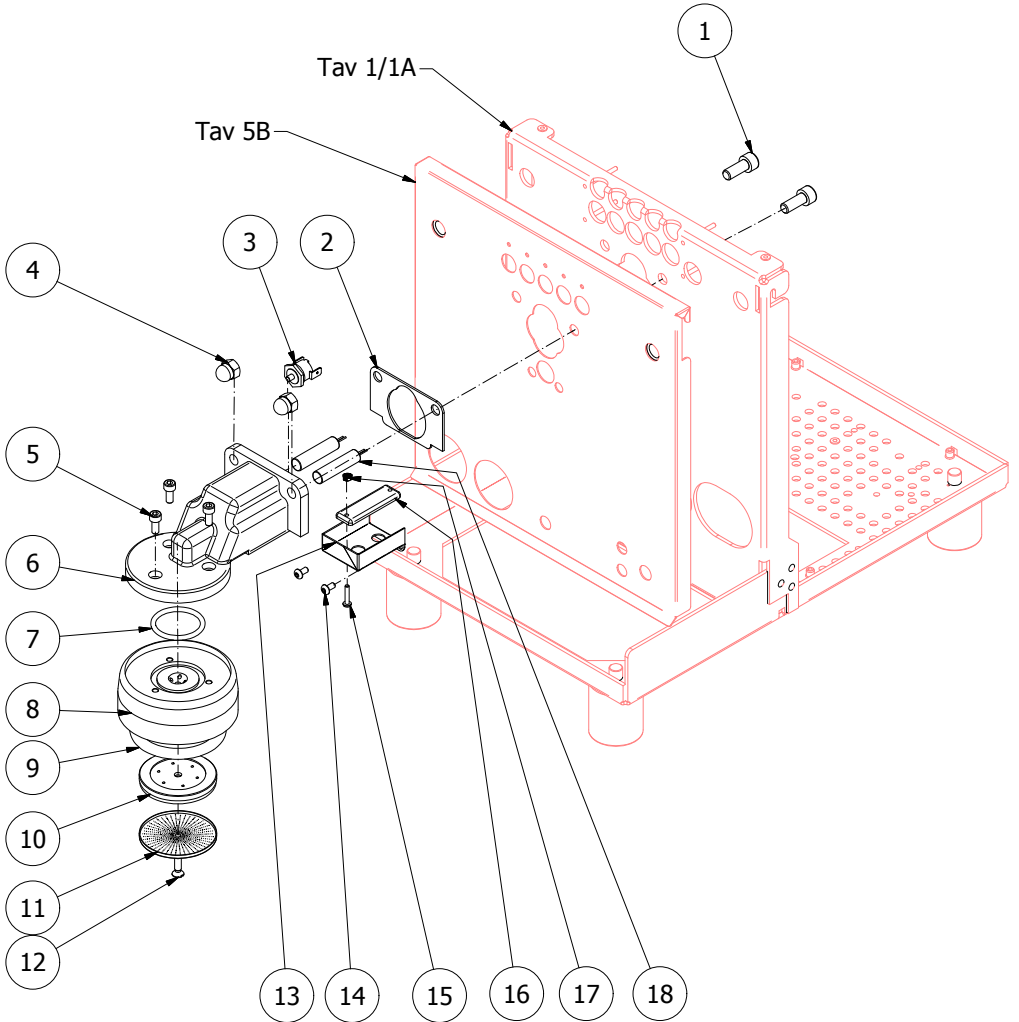
TABLE 4



	POS	CODE	DESCRIPTION
<b>TABLE 5</b>	1	7816014	SCREW M8X20
	2	7493013	INSULATING GASKET
	3	7634808	AUTOMATIC THERMAL PROTECTOR
	4	5221863CM	CAP NUT M8 CHROMED
	5	7816001	SCREW M5X12
	6	5283046TW	GROUP BODY
	7	7496004	ORING 139 VITON
	8	5280502TW	VERTICAL COUPLING RING
	9	7496092	ORING 55X8.1
	10	5285501TP	SHOWER-HOLDER D57
	11	5470501	SHOWER D57 WITH WEB
	12	7817001	SCREW M5X16
	13	5073032LW	BZ16 LED COVERAGE
	14	7819908	SCREW TTEI M4X8
	15	7809811	PLASTIC SCREW M3X16
	16	7663623	12V WHITE LEDS
	17	7822602	M3 UNI5587 NUT M3
	18	5963097.01	ASSEMBLY DOUBLE CARTRIDGE RESISTANCE 110V
18	5963098.01	ASSEMBLY DOUBLE CARTRIDGE RESISTANCE 220/240V	

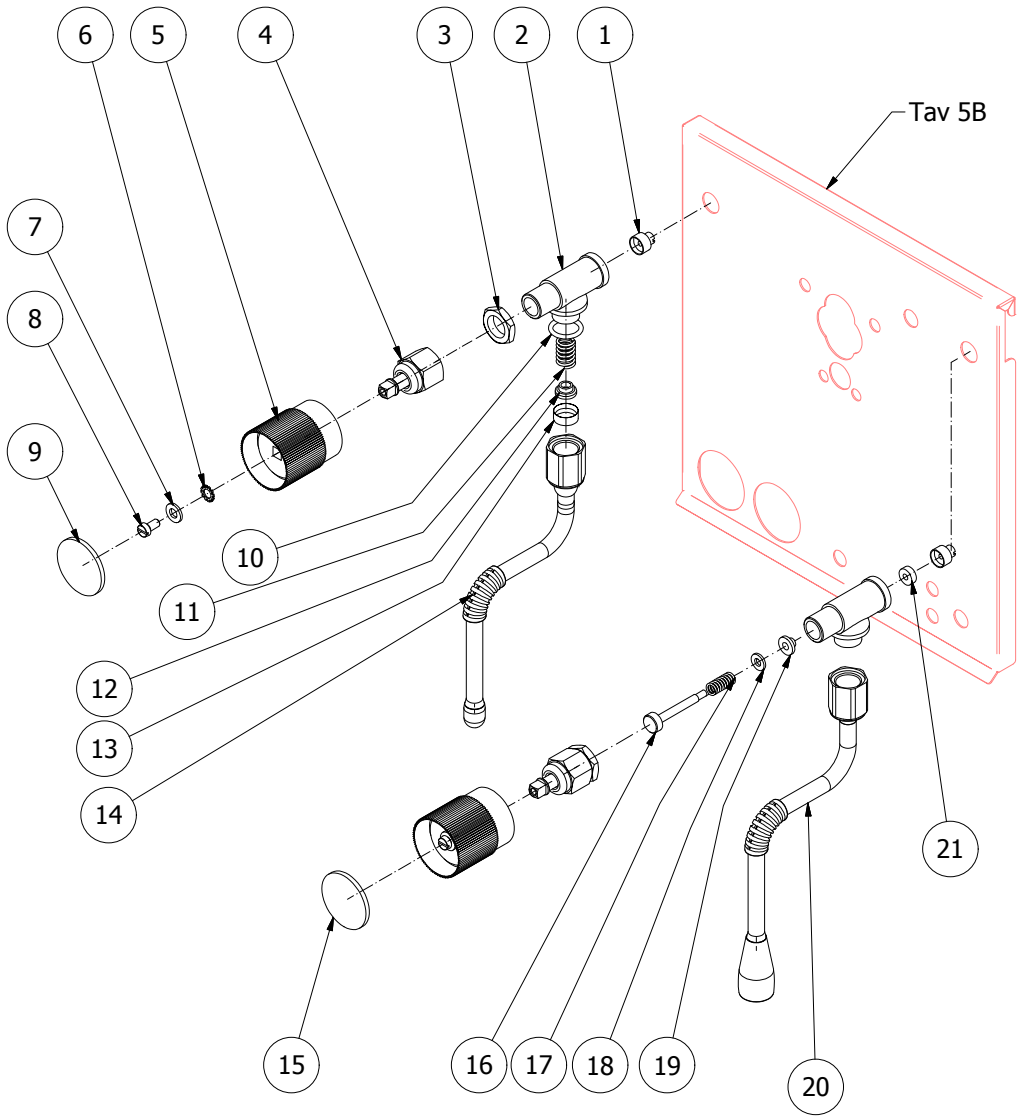


TABLE 5



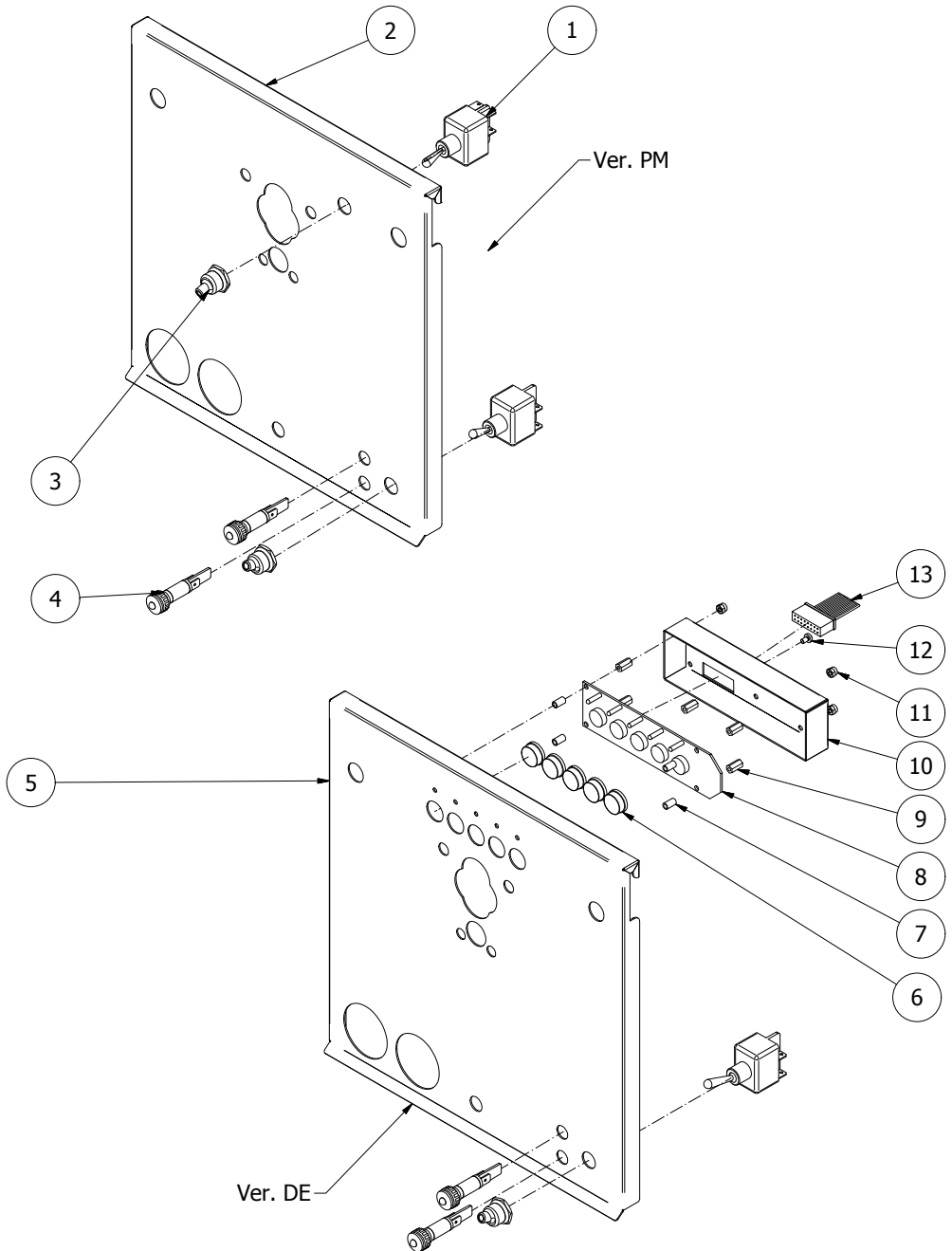
	POS	CODE	DESCRIPTION
<b>TAVOLA 5A</b>	1	5224603	GASKET HOLDER D12X12 OT
	2	5283055TW	TAP BODY 3/8"G
	3	5221826CM	CHROMED 3/8"G NUT
	4	5964098	ASSEMBLY CHROMED TAP SHAFT
	5	5371802	KNOB D40 ABS BLACK
	6	7804002	VENT. WASHER D6
	7	7805004	WASHER D6
	8	7826202	SCREW M5X10
	9	5373903CM	KNOB STEAM CHROMED COVER
	10	7496072	ORING 121
	11	5471532	SPRING
	12	5190501	CUP FOR FITTING PTFE/GLASS
	13	5494017	ARTICULATION GASKET
	14	7479990.02TW	STEAM HOSE 2 HOLES TERMINAL
	15	5373903CM	KNOB STEAM CHROMED COVER
	16	5260203DL	SHAFT D12X47
	17	5471513	SPRING D8 H17
	18	5261801	ARTICULATION GASKET
	19	5494004	PTFE GASKET D12X5X6
	20	7479985.02TW	WATER HOSE WELDED INOX
	21	5496042	GASKET D11X4X4

TABLE 5A



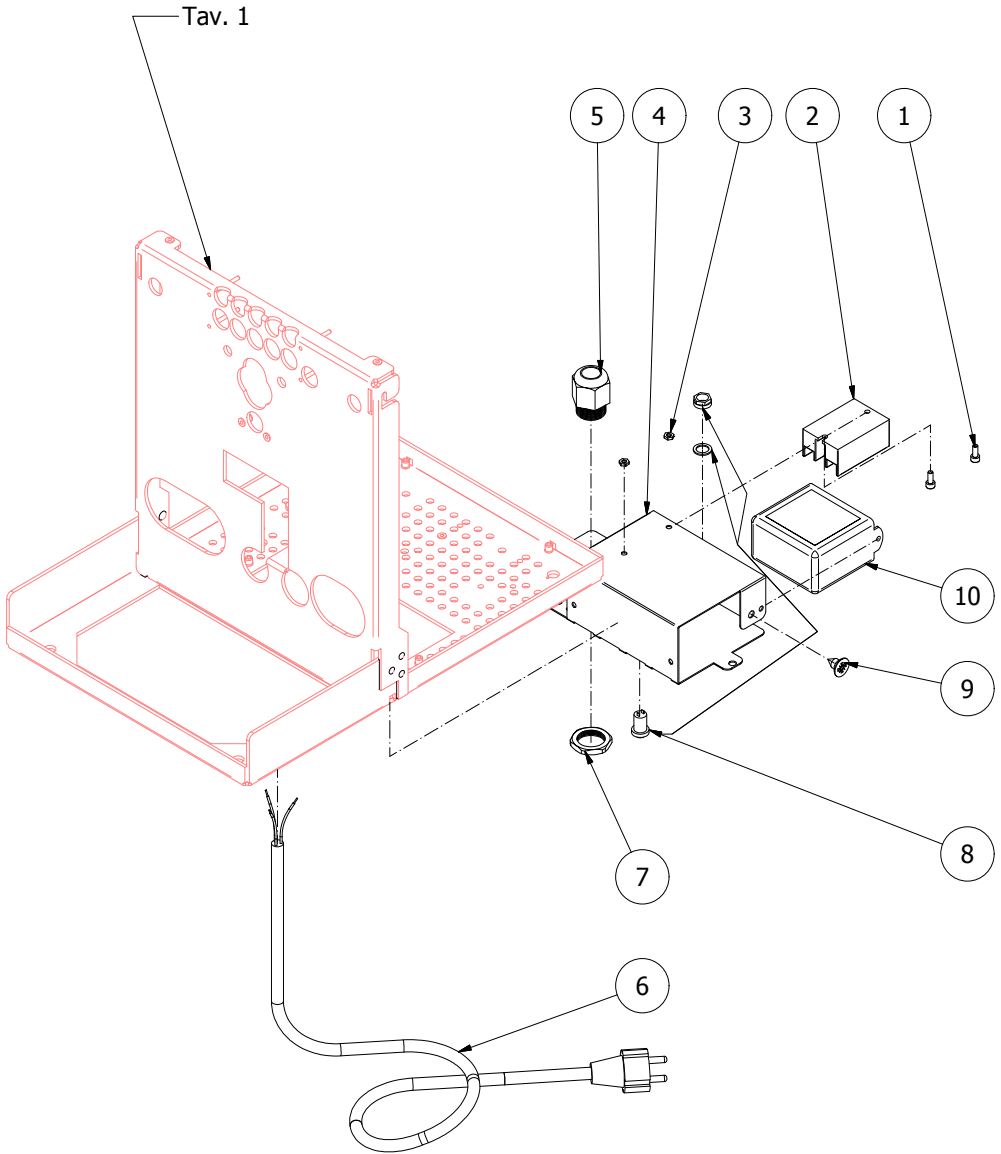
	POS.	CODE	DESCRIPTION
<b>TABLE 5B</b>	1	7633326	BIPOLAR SWITCH
	2	5074907SG	GROUP FRONTAL BZ16 PM SILK-SCREEN-PRINTED
	3	7372507	PRTOTECTION WITH NICHEL-PLATED NUT
	4	7633628	WHITE CONTROL LIGHT
	5	5074906SG	GROUP FRONTAL BZ16 DE SILK-SCREEN-PRINTED
	6	5661501	6 BUTTON PACK BLACK ABS
	7	5191514	PLASTIC SPACER L=8MM
	8	7665524PR	6 BUTTONS BOARD WITH 6 WHITE LEDS
	9	5191511	EXAGONAL PLASTIC SPACER L10MM M3
	10	5053024.01LW	PUSH-BOTTON PANEL COVERAGE
	11	7802401	NUT M3 ZINC-PLATED
	12	7809809	PLASTC M3X5 SREW
	13	7636604	8 POLES LINK CABLE

TABLE 5B



	POS.	CODE	DESCRIPTION
<b>TABLE 6</b>	1	7816009	M4X10 SCREW
	2	7635424.01	RELAIS SSR
	3	7812601	NUT M4
	4	503509.02LW	ELECTRIC PARTS SUPPORT PLATE
	5	7614007	CABLE HOLDER
	6	7551001	CABLE WITH USA PLUG 125V 15A
	6	7551003	CABLE WITH USA PLUG 250V 20A
	6	7555001	CABLE WITH SHUKO PLUG
	6	7554001	CABLE WITH ENGLISH PLUG 13A
	6	7552001	CABLE WITH AUSTRALIAN PLUG 10A
	6	7555003	CABLE WITH SWISS PLUG 10A
	7	7614006	NUT PG13,5
	8	7633346	LED SWITCH
	9	7819404	TAPPING SCREW TPS D4.8X16 UNI 6955 A2
	10	7661033.01	LEVEL REGULATOR 3 PROBES 110/120V
	10	7661034.01	LEVEL REGULATOR 3 PROBES 220/230V
	10	7661035.01	LEVEL REGULATOR 3 PROBES 240V
10	7662672.01PR	ELECTRONICAL DOSAGE 1GR 3S 110-240V	

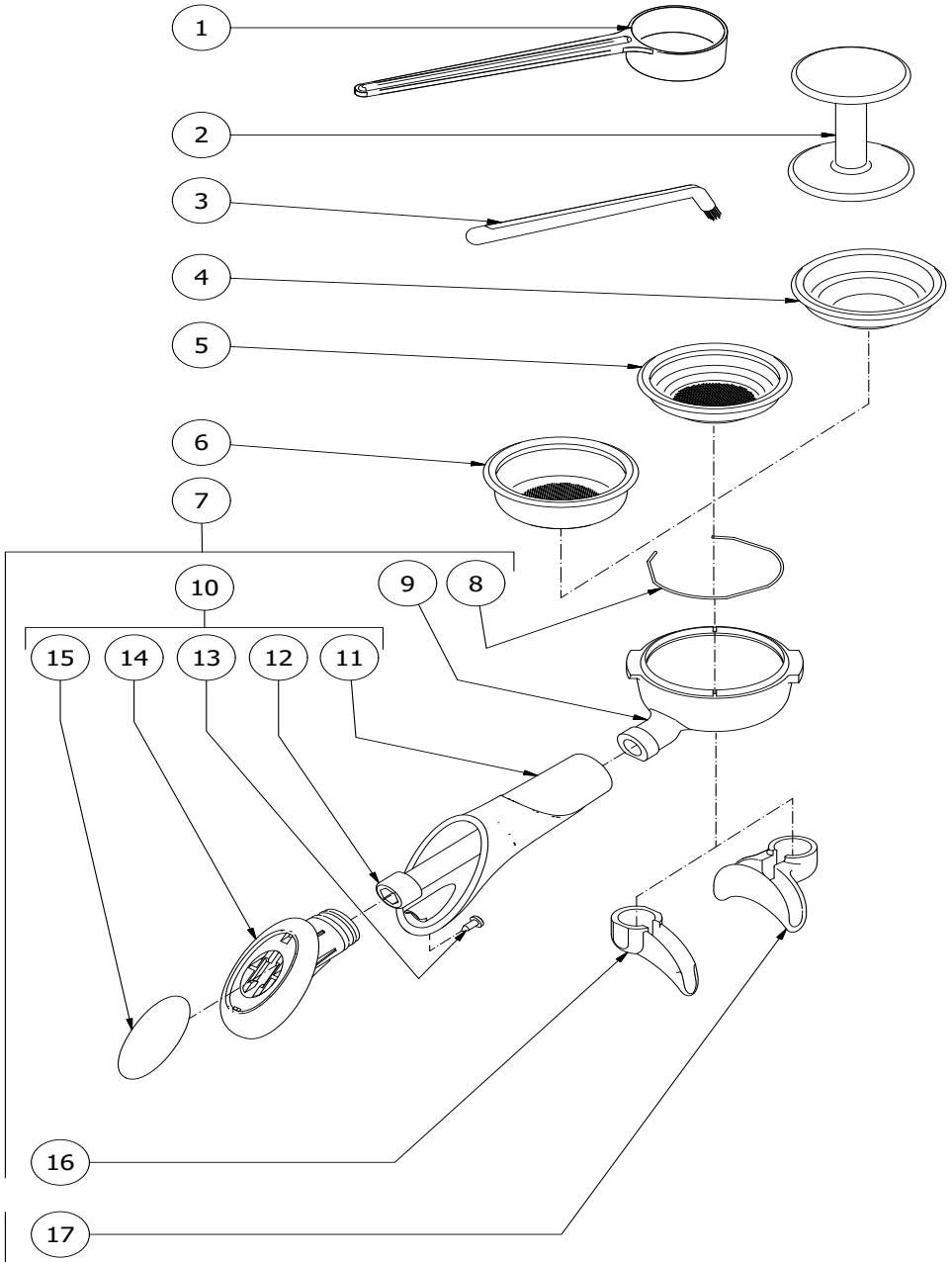
TABLE 6



	POS	CODE	DESCRIPTION
<b>TABLE 7</b>	1	5372101	MEASURER
	2	5373001	COFFE TAMPER
	3	7990603	CLEANING BRUSH
	4	5471003	BLIND FILTER
	5	5471031.01	FILTER 1 CUP 8 GRAMS WITH RUN CHANNEL
	6	5471021.01	FILTER 2 CUPS 12 GRAMS WITH RUN CHANNEL
	6	5471026.01	FILTER 2 CUPS 14 GRAMS WITH RUN CHANNEL
	7	5965588R	ASSEMBLY COMPLETE FILTER-HOLDER 1 CUP
	7	5965590R	ASSEMBLY COMPLETE FILTER-HOLDER 2 CUPS
	8	5471527	FILTER-HOLDER SPRING D1.2 AISI 302
	9	7479972.01TW	FILTER-HOLDER
	10	5978508	KNOB
	11	5371203	HANDLE
	12	7816026	SCREW TCEI M12X60
	13	7809806	SCREW TC M3.5X8
	14	5371204	PLUG CHROMED
	15	5371205	PLATE WITH LOGO
16	7305006TW	SPOUT 1 WAY	
17	7305007TW	SPOUT 2 WAY	



TABLE 7





**BEZZERA**

**Dal 1901**

G.BEZZERA S.R.L.

MACCHINE PER CAFFE' ESPRESSO

Via Luigi Bezzera,1

20088 Rosate - Milano - Italy

Tel. 02 90848102 r.a. - Telefax 02 90870287

Web: [www.bezzera.com](http://www.bezzera.com)

e-mail: [commerciale@bezzera.it](mailto:commerciale@bezzera.it)