

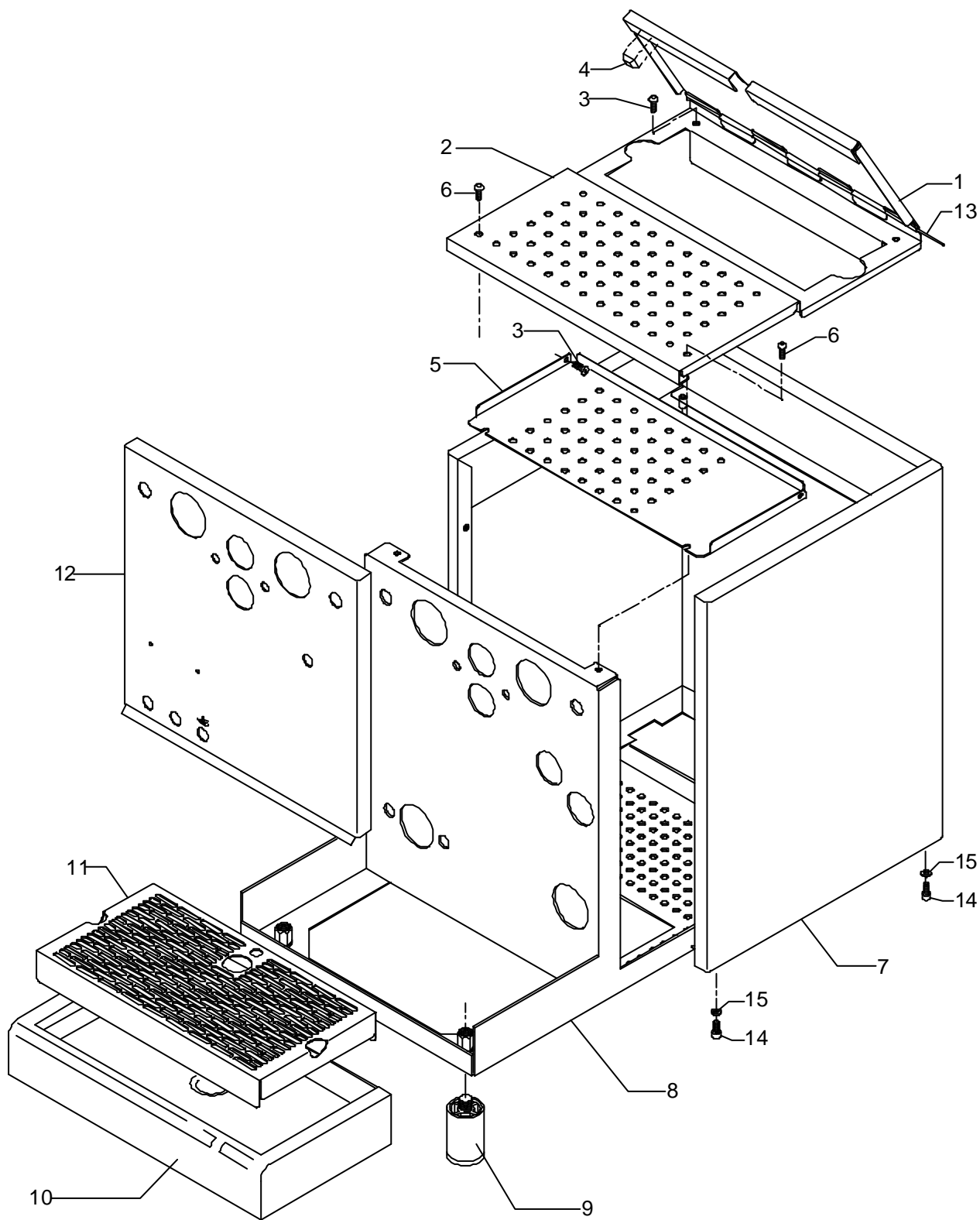


GEA



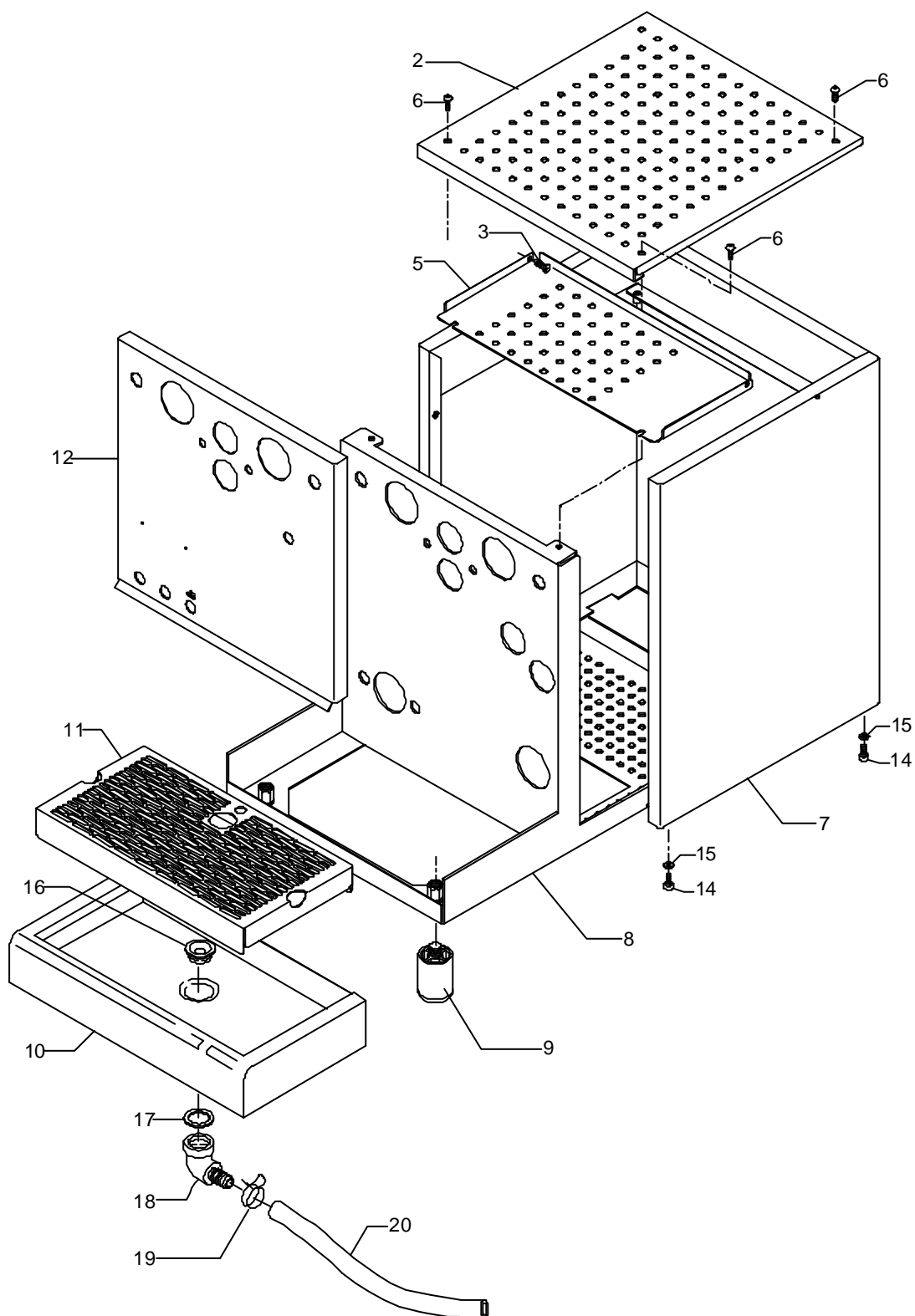
Tav. 01

POS	DESCRIPTION	CODE	REFERENCE
1	TRAY COVER STAINLESS STEEL SATINED	5093014LW	-
1	TRAY COVER STAINLESS STEEL POLISHED	5073017LW	-
2	CUPS-HEATER GRID STAINLESS STEEL SATINED	5096323LW	-
2	CUPS-HEATER GRID STAINLESS STEEL POLISHED	5076324LW	-
3	SCREW TTEI M4X12	7819901	-
4	ADHESIVE FEET 12,7 H5,8	7474217	-
5	CUPS-HEATER	5056330LW	-
6	SCREW TTEI M4X25 INOX	7819911	-
7	BODY STAINLESS STEEL SATINED	5344026	-
7	BODY STAINLESS STEEL POLISHED	5344025	-
8	CHASSIS BLACK	5340003.01LL	-
9	FOOT	7474218	-
10	DRIP TRAY STEEL SATINED	5340504ST	-
10	DRIP TRAY STAINLESS STEEL POLISHED	5340503DL	-
11	DRIP TRAY GRID STAINLESS STEEL SATINED	5094576LW	-
11	DRIP TRAY GRID STAINLESS STEEL POLISHED	5074613LW	-
12	GROUP FRONTAL STAINLESS STEEL SATINED	5094485.01SG	-
12	GROUP FRONTAL STAINLESS STEEL POLISHED	5074436.01SG	-
13	STUD D.2X270 INOX	5264014	-
14	SCREW TCEI M4X12	7816002	-
15	PLAIN WASHER Ø4X12	7809804	-



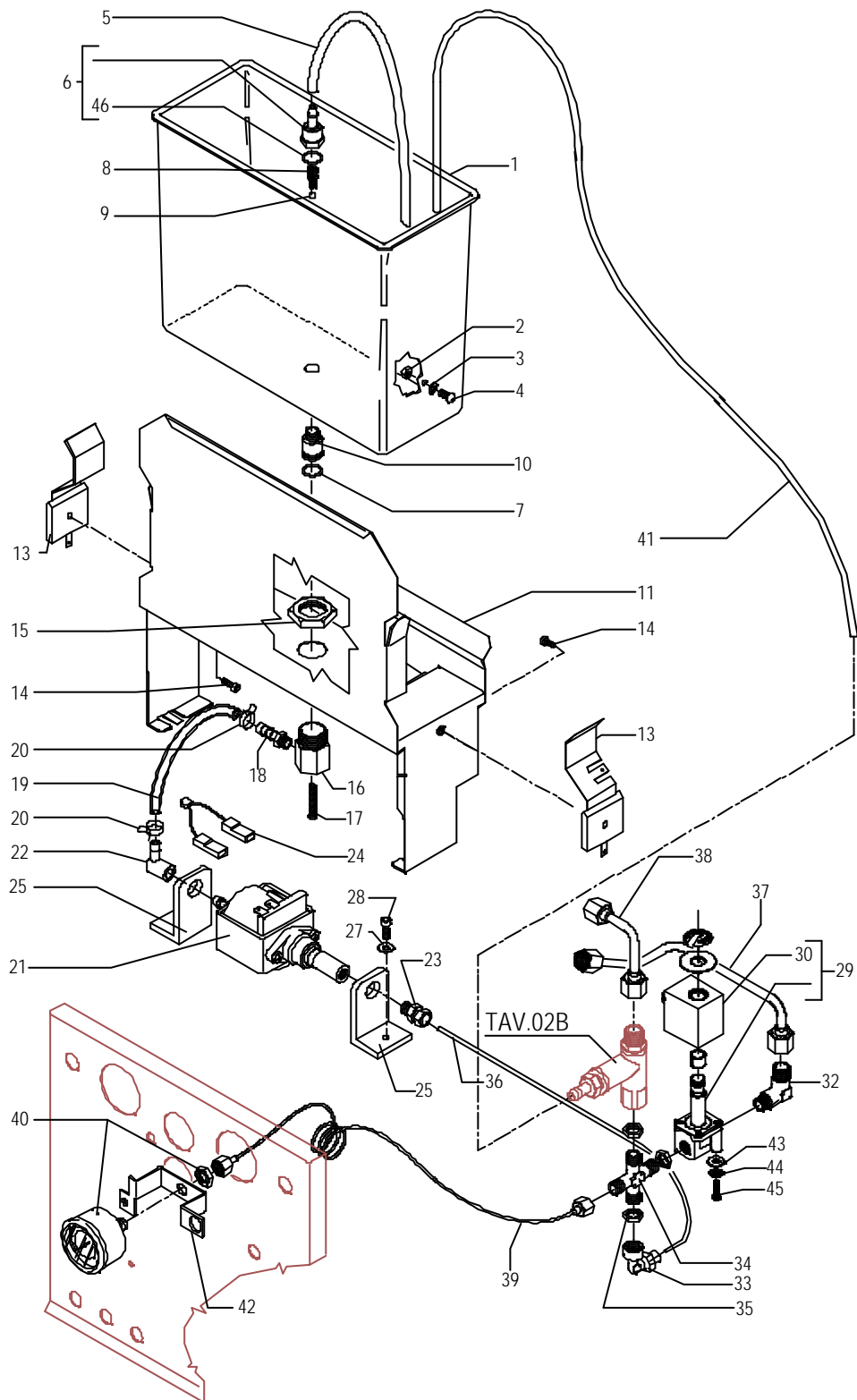
Tav. 01A

POS	DESCRIPTION	CODE	REFERENCE
2	CUPS-HEATER GRID STAINLESS STEEL SATINED	5094578LW	-
2	CUPS-HEATER GRID STAINLESS STEEL POLISHED	5074615LW	-
3	SCREW TTEI M4X12	7819901	-
5	CUPS-HEATER	5056330LW	-
6	SCREW TTEI M4X25 INOX	7819911	-
7	BODY STAINLESS STEEL SATINED	5344026	-
7	BODY STAINLESS STEEL POLISHED	5344025	-
8	CHASSIS BLACK	5340003.01LL	-
9	FOOT	7474218	-
10	DRIP TRAY STEEL SATINED	5340504LL	-
10	DRIP TRAY STAINLESS STEEL POLISHED	5340503LL	-
11	DRIP TRAY GRID STAINLESS STEEL SATINED	5094576LW	-
11	DRIP TRAY GRID STAINLESS STEEL POLISHED	5074613LW	-
12	GROUP FRONTAL STAINLESS STEEL SATINED	5094488SG	-
12	GROUP FRONTAL STAINLESS STEEL POLISHED	5074437SG	-
14	SCREW TCEI M4X12	7816002	-
15	PLAIN WASHER Ø4X12	7809804	-
16	FITTING 3/8"G	5225230	-
17	GASKET D25 X 17 X 2	5492022	-
18	RUBBER-HOLDER D11 OT	5224403	-
19	CLAMP D14	7611502	-
20	HOSE D14 L=1.5M PLASTIC	7303502	-



Tav. 02

POS	DESCRIPTION	CODE	REFERENCE
1	TANK	5374505	-
2	NUT M4 STAINLESS STEEL	7812601	-
3	WASHER D4 NYLON	7374004	-
4	SCREW TTEI M4X8	7819908	-
5	HOSE 8X5 L=300 SILICONE	5194540	-
6	RUBBER-HOLDER D7,5	5224409	-
7	OR GASKET 112 EPDM 70SH	7496076	-
8	COUPLING SPRING	5471521	-
9	BALL 7/32" AISI 304	5471509	-
10	GASKET-HOLDER D14.5 X 25 OT	5224617	-
11	TANK SUPPORT	5963009.02	-
13	TANK SPRING	5471535	-
14	SCREW TC M 3,5X8 PLASTITE	7809806	-
15	NUT M20 H5 OT	5221830	-
16	FITTING M20 H28.5 OT	5225228	-
17	SCREW TCI M3X30 UNI 6107 OT	7826206	-
18	FITTING 1/8"G CONIC ES.10 H33 OT	5225246	-
19	CRISTAL HOSE D6 X 9 L=150MM	5194529	-
20	CLAMP	7611512	-
20	VIBRATION PUMP EAP5 120V	7731011	-
21	VIBRATION PUMP EX5 230V	7731009	-
21	VIBRATION PUMP EAP5 240V	7731014	-
22	RUBBER-HOLDER FITTING	7303006	-
23	STRAIGHT FITTING 1/8"G OT	7303036	-
24	THERMIC SAFETY DEVICE 100°C AUTOMATIC	7634816	-
25	VIBRATION-DAMPING	7470602	-
27	PLAIN WASHER D5 X 11 X 1	7805009	-
28	SCREW TCEI M4X16	7816004	-
29	SOLENOID VALVE 2 WAY 115V PARKER	7701111	-
29	SOLENOID VALVE 2 WAY 230V PARKER	7702310	-
29	SOLENOID VALVE 2 WAY 240V PARKER	7702409	-
30	SOLENOID VALVE COIL 110V PARKER	7630327	-
30	SOLENOID VALVE COIL 220/230V PARKER	7630328	-
30	SOLENOID VALVE COIL 240V PARKER	7630329	-
32	UNION ELBOW 1/8"G X M12 OT	5301504	-
33	UNION ELBOW 1/8"G OT	7303034	-
34	UNION 1/8"G	7304001	-
35	NUT 1/8"G H3	5221844	-
36	HOSE PTFE D6x1 L=180	5194590	-
37	BOILER LOAD HOSE	5162237.01LL	-
38	SURPRESSION VALVE - HEAT EXCHANGER HOSE	5162236.01LL	-
39	PUMP PRESSURE GAUGE CAPILLARY	7400902	-
40	PUMP PRESSURE GAUGE D42 16 BAR	7432520	-
41	DRAIN HOSE L=700MM SILICONE	5194592	-
42	RIGHT PRESSURE GAUGE SUPPORT	5037820LW	-
43	PLAIN WASHER D4 FEZN	7809804	-
44	TAP GASKET EPT 70SH	5493023	-
45	SCREW TCI M3X14 UNI 6107 OT	7815603	-
46	OR GASKET 115 EP856	7496073	-

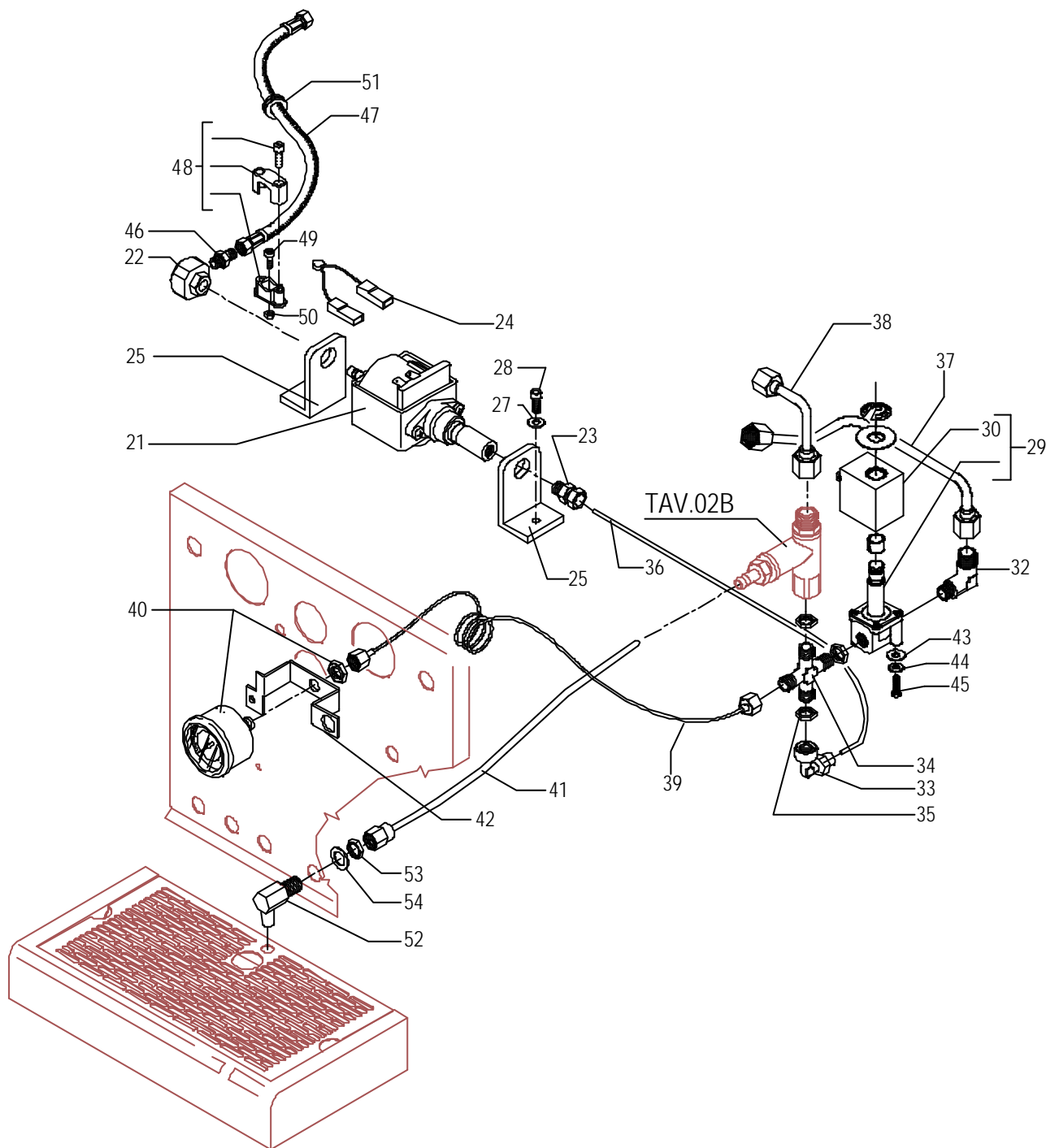


Tav. 02A

POS	DESCRIPTION	CODE	REFERENCE
21	VIBRATION PUMP EAP5 120V	7731011	
21	VIBRATION PUMP EX5 230V	7731009	-
21	VIBRATION PUMP EAP5 240V	7731014	
22	FITTING	5225278	-
23	STRAIGHT FITTING 1/8"G OT	7303036	-
24	THERMIC SAFETY DEVICE 100°C AUTOMATIC	7634816	-
25	VIBRATION-DAMPING	7470602	-
27	PLAIN WASHER D5 X 11 X 1	7805009	-
28	SCREW TCEI M4X16	7816004	-
29	SOLENOID VALVE 2 WAY 115V PARKER	7701111	-
29	SOLENOID VALVE 2 WAY 230V PARKER	7702310	-
29	SOLENOID VALVE 2 WAY 240V PARKER	7702409	-
30	SOLENOID VALVE COIL 110V PARKER	7630327	-
30	SOLENOID VALVE COIL 220/230V PARKER	7630328	-
30	SOLENOID VALVE COIL 240V PARKER	7630329	-
32	UNION ELBOW 1/8"G X M12 OT	5301504	-
33	UNION ELBOW 1/8"G OT	7303034	-
34	UNION 1/8"G	7304001	-
35	NUT 1/8"G H3	5221844	-
36	PUMP-SOLENOID VALVE HOSE	5194590	-
37	BOILER LOAD HOSE	5162237.01LL	-
38	SURPRESSION VALVE - HEAT EXCHANGER HOSE	5162236.01LL	-
39	PUMP PRESSURE GAUGE CAPILLARY	7400902	-
40	PUMP PRESSURE GAUGE D42 16 BAR	7432520	-
41	COMPLETE SURPRESSION VALVE HOSE	5194508.01LL	-
42	RIGHT PRESSURE GAUGE SUPPORT	5037820LW	-
43	PLAIN WASHER D4 FEZN	7809804	-
44	TAP GASKET EPT 70SH	5493023	-
45	SCREW TCC M3 X 12	7815603	-
46	STRAIGHT FITTING 1/8"G OT	7304502	-
47	FLEXIBLE HOSE 3/8"X1/8" l=1500MM	7200514	-
48	CABLE-PRESS	7614005	-
49	SCREW TCEI M5X12 UNI 5931 A2	7816001	-
50	NUT M5 UNI 5587 OT	7821404	-
51	FAIRLEAD 16MV RUBBER	7613004	-
52	DRAIN FITTING FOR SURPRESSION VALVE 1/8"G CHROMED	5283018CM	-
53	NUT 1/8"G H3	5221844	-
54	WASHER D10 UNI 6592 A2	7815001	-

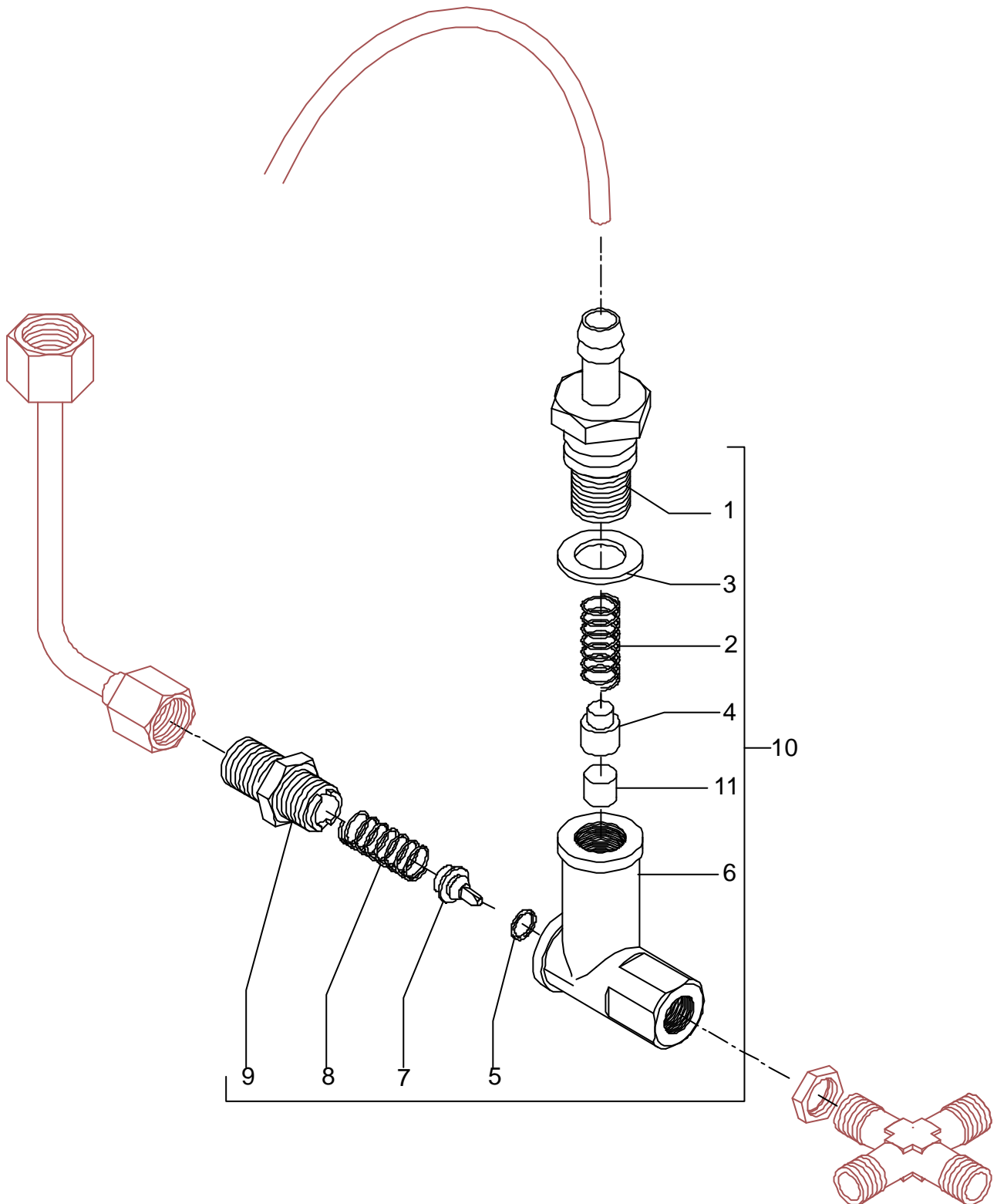
Mod. GEA
Water supply version

Tav. 02A



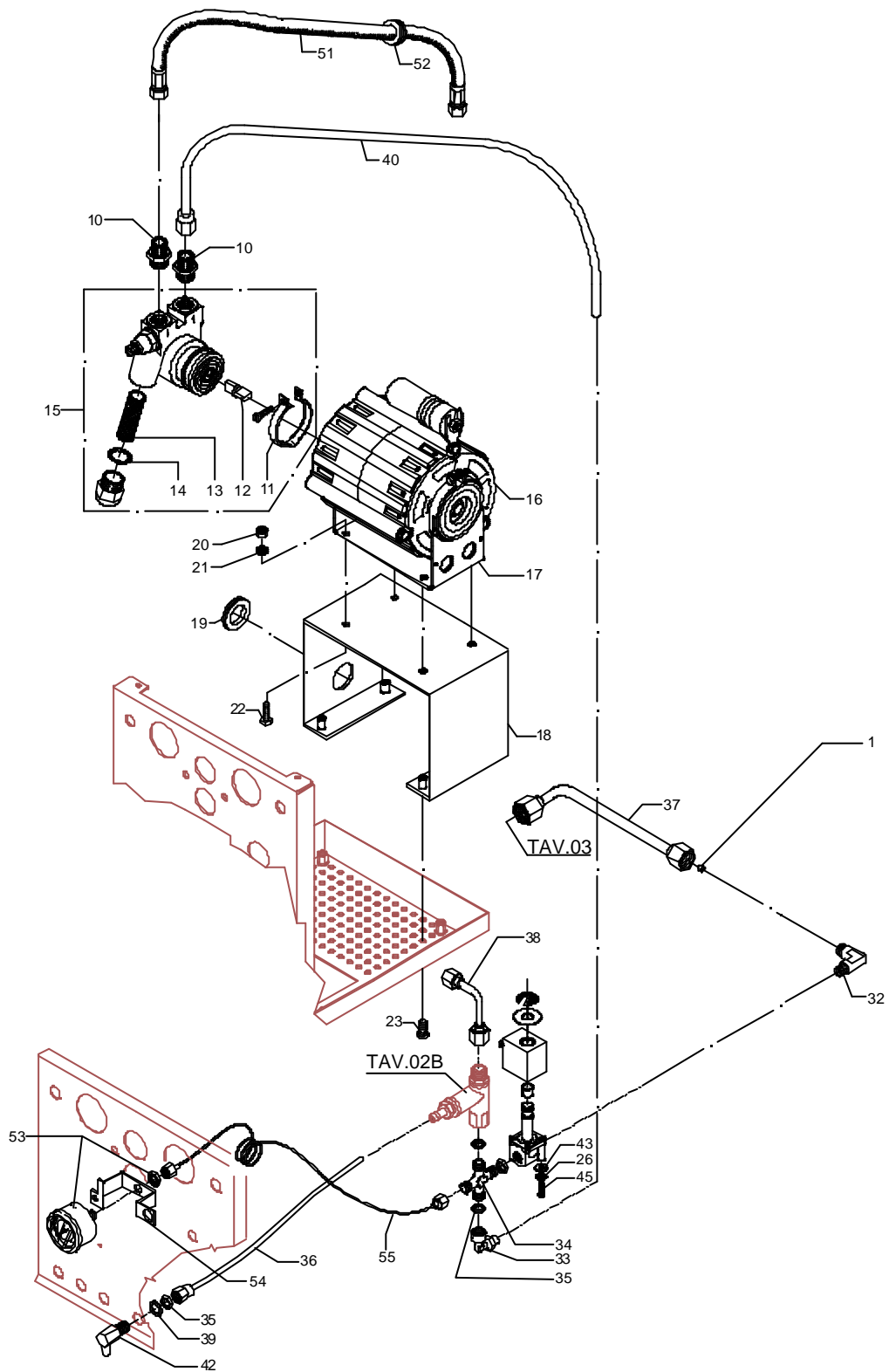
Tav. 02B

POS	DESCRIPTION	CODE	REFERENCE
1	RUBBER-HOLDER FITTING	5302072	-
2	CALIBRATED SPRING D1 H26 AISI 302	5471506.01	-
3	OR GASKET 114 VITON	7496052	-
4	GASKET-HOLDER	5224619	-
5	OR GASKET 105 VITON	7496018	-
6	SURPRESSION VALVE BODY	5283049	-
7	GASKET-HOLDER	5224615	-
8	CALIBRATED SPRING D0.45 H22 AISI 302	5471505	-
9	STRAIGHT FITTING M12 H26.5 OT	5302017	-
10	ASSEMBLY SURPRESSION VALVE	5965165	-
11	GASKET D8 X 4 EPT 70SH	5493001	-



Tav. 02C

POS	DESCRIPTION	CODE	REFERENCE
1	JET M6 X 6 HOLE D0.8 OT	5223003	-
10	STRAIGHT FITTING 1/8"G X 3/8"NPT ES.22 H27 OT	5302032	-
11	PUMP CLAMP	7611508	-
12	PUMP JOINT	7472401	-
13	PUMP FILTER	7374005	-
14	OR GASKET FOR PUMP FILTER PROCON	7496048	-
15	PUMP 100 L/H PA104X 1-2GR	7730506	-
16	ELECTRIC MOTOR 110V 18MF	7741102	-
16	ELECTRIC MOTOR 220/240V 10MF	7742202.01	-
17	BRACKET MOTOR	7479976	-
18	MOTOR SUPPORT	5038420LW	-
19	FAIRLEAD P36 RUBBER	7613001	-
20	NUT M6 UNI 5587 OT	7821403	-
21	PLAIN WASHER D6 UNI 6592 FEZN	7805004	-
22	SCREW TE M6X16 UNI 5739 A2	7816417	-
23	SCREW TCEI M4X12	7816002	-
26	TAP GASKET EPT 70SH	5493023	-
29	SOLENOID VALVE 2 WAY 115V PARKER	7701111	-
29	SOLENOID VALVE 2 WAY 230V PARKER	7702310	-
29	SOLENOID VALVE 2 WAY 240V PARKER	7702409	-
30	SOLENOID VALVE COIL 110V PARKER	7630327	-
30	SOLENOID VALVE COIL 220/230V PARKER	7630328	-
30	SOLENOID VALVE COIL 240V PARKER	7630329	-
32	UNION ELBOW 1/8"G X M12 OT	5301504	-
33	UNION ELBOW 1/8"G OT	7303034	-
34	UNION 1/8"G	7304001	-
35	NUT 1/8"G H3	5221844	-
36	SURPRESSION VALVE DRAIN HOSE	5194592	-
37	BOILER LOAD HOSE	5162237.01LL	-
38	SURPRESSION VALVE - HEAT EXCHANGER HOSE	5162236.01LL	-
39	WASHER D10 UNI 6592 A2	7815001	-
40	PUMP-SOLENOID VALVE HOSE	5194574.01LL	-
42	DRAIN FITTING FOR SURPRESSION VALVE 1/8"G CHROMED	5283018CM	-
43	PLAIN WASHER D4 FEZN	7809804	-
45	SCREW TCC M3X12	7815603	-
51	FLEXIBLE HOSE 3/8"X1/8" l=1500MM	7200514	-
52	FAIRLEAD	7613004	-
53	PUMP PRESSURE GAUGE D42 16 BAR	7432520	-
54	RIGHT PRESSURE GAUGE SUPPORT	5037820LW	-
55	PUMP PRESSURE GAUGE CAPILLARY	7400902	-

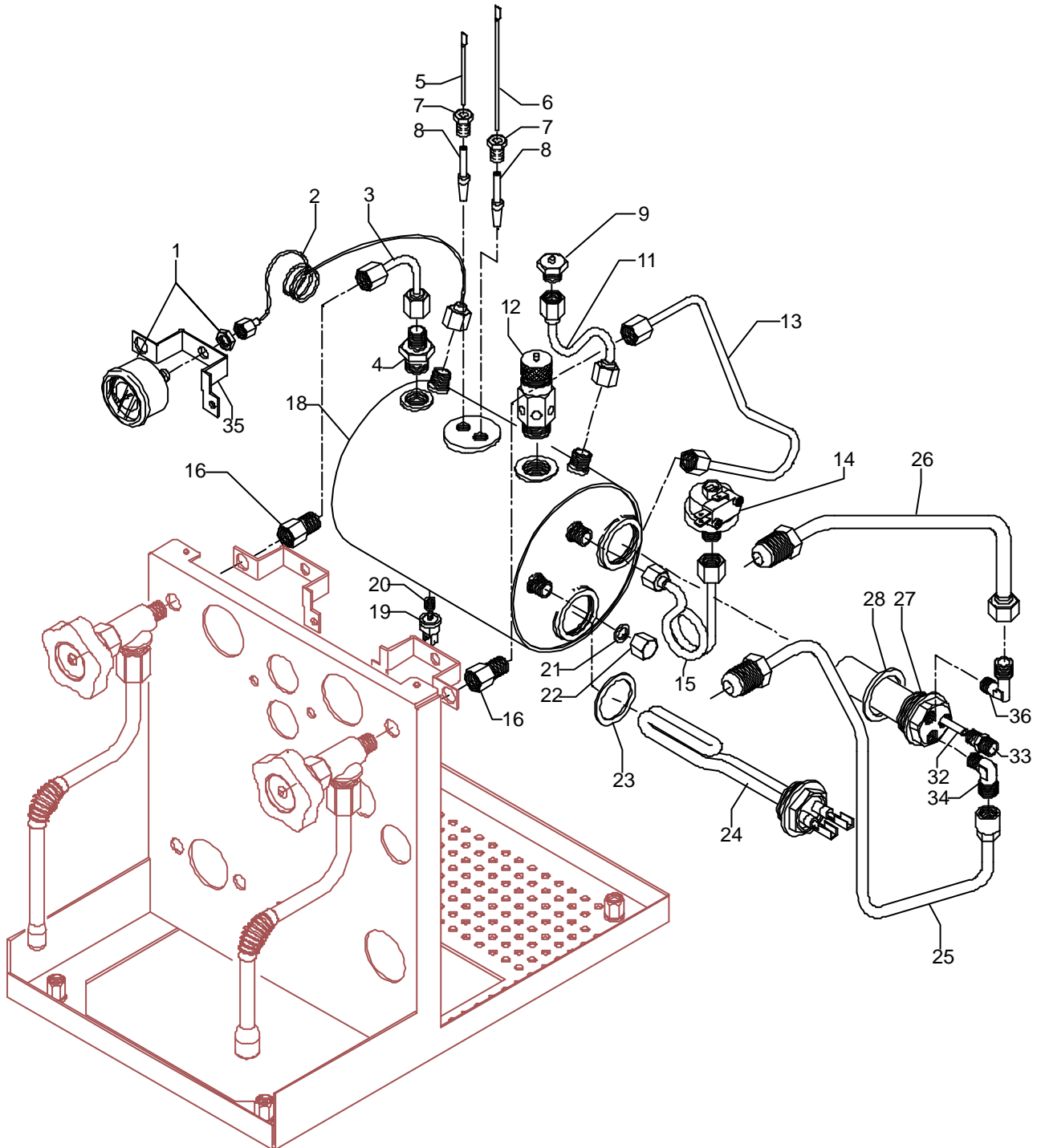


Tav. 03

POS	DESCRIPTION	CODE	REFERENCE
1	BOILER PRESSURE GAUGE D42 3BAR	7432521	-
2	BOILER PRESSURE GAUGE CAPILLARY	7400903	-
3	STEAM TAP HOSE	5162234LL	-
4	STRAIGHT FITTING 3/8"G X M13 ES.22 H30 OT	5302005	-
5	LEVEL PROBE D3 X 80 X 6.3	5265819	-
6	MINIMUM LEVEL PROBE D3 X 110 X 4.8	5265812	-
7	STRAIGHT FITTING M10 OT	5225205	-
8	PROBE SHEATH D8 X 45 HOLE D3 PTFE	5192001	-
9	VALVE	7452511	-
11	VALVE HOSE	5162239.01LL	-
12	ASSEMBLY SAFETY VALVE 1.65BAR	7452510.01	-
13	WATER TAP HOSE	5162233LL	-
14	PRESSOSTAT XP/100 1/4"G CALIBRATION	7433013	-
15	PRESSOSTAT HOSE	5162235LL	-
16	FITTING M/F M13x1	5302064	-
18	ASSEMBLY BOILER POLISHED	5320501BL	-
19	THERMOSTAT MANUAL 16A 135°C	7434009	-
20	DOWEL M8 X 6 HOLE M4 OT	5227007	-
21	GASKET D10.5 X 2	5492008	-
22	PLUG M12X1 OT	5221813	-
23	GASKET D42x32x2 PTFE	5492025	-
24	HEATING ELEMENT COPPER 220/240V - 1250/1450W	5722240	-
25	BOTTOM HEATING HOSE	5163204LL	-
26	UPPER HEATING HOSE	5164067LL	-
27	EXCHANGER 3 HOLES	5329012BL	-
28	GASKET D32 X 3 BRASS	5495007	-
32	SUCTION HOSE D6 L=130MM PTFE	5192301	-
33	STRAIGHT FITTING 1/8"G X M12 OT	5302006	-
34	UNION ELBOW MM 1/8"G	5301520	-
35	LEFT SUPPORT MANOMETRO	5037821LW	-
36	UNION ELBOW MM 1/8"X3/8"	5301521	-

Mod. GEA
Tank / Water supply version

Tav. 03

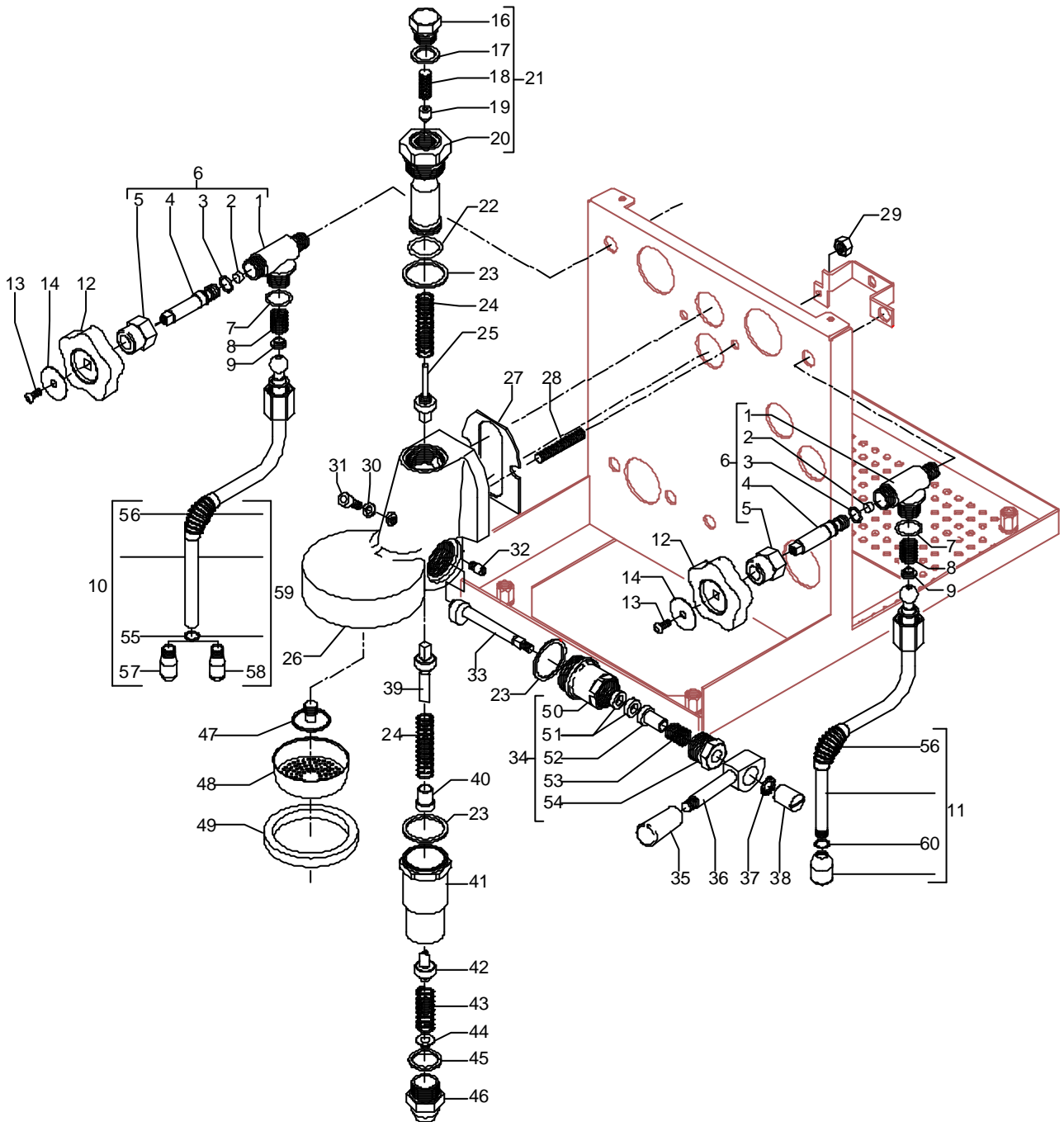


Tav. 04

POS	DESCRIPTION	CODE	REFERENCE
1	TAP BODY 3/8"GxM13	5283039EC	-
2	GASKET D8 X 4 EPT 70SH	5493001	-
3	OR GASKET D7.6 X 2.62 VITON	7496001	-
4	ROD ASSY	5960502.02CM	-
5	NUT 3/8"G	5221803EC	-
6	ASSEMBLY WATER/STEAM TAP	5964013.02	-
7	OR GASKET	7496072	-
8	SPRING	5471532	-
9	COMPLETE CUP	5220606	-
10	ASSEMBLY STEAM HOSE TERMINAL 4 HOLES	7479958	-
11	ASSEMBLY WATER HOSE	7479959	-
12	TAP KNOB	7371509	-
13	SCREW TEB M5x10	7826410CM	-
14	WASHER	5077001	-
16	UPPER ASSY PLUG	7479952	-
17	GASKET TF 22X17X2	7479953	-
18	INOX FILTER Ø8,5X22	7479954	-
19	INJECTOR M6X0,75 FORO Ø0,7	7479955	-
20	UPPER SLEEVE ASSY	7479956	-
21	INJECTOR Ø0.7 UPPER SLEEVE ASSY	7479933	-
22	GASKET OR 128 VITON	7479934	-
23	GASKET TF Ø35X30X2	7479935	-
24	DELIVERY VALVE SPRING	7479936	-
25	DELIVERY VALVE ASSY	7479937	-
26	DELIVERY GROUP BODY	7479940	-
27	INSULATING	7493011	-
28	TIE ROD M8 X 31 ASTM A193	5267013	-
29	NUT M8 UNI 5587 ASTM A194	7812607	-
30	GASKET TF Ø10X6X1	7479938	-
31	SCREW TCE M6X8	7479939	-
32	CAM STOP PIN	7479951	-
33	CAM SHAFT	7479950	-
34	CAM FLANGE ASSY	7479949	-
35	LEVER KNOB	7371511.01	-
36	DELIVERY LEVER	7479931	-
37	WASHER Ø8	7479947	-
38	CAP Ø15XM6	7479948	-
39	ASSEMBLY VALVE	7479946	-
40	SPRING GUIDE BUSHING	7479942	-
41	LOWER SLEEVE ASSY	7479957	-
42	ASSEMBLY RELIEF VALVE	7479943	-
43	DRAIN SPRING	7479944	-
44	JET-BREAKER BUSHING Ø15X6	7479945	-
45	GASKET TF D26x21x2	7479960	-
46	GROUP BOTTOM FITTING	7479961	-
47	SPRAYER Ø30	7479941	-
48	SHOWER FILTER	5471022	-
49	UNDERCUP GASKET	5493039	-
50	CAM FLANGE	7479967	-
51	WASHER EP709 15,5X7,5X4	7479968	-
52	BUSHING	7479969	-

Mod. GEA
Tank / Water supply version

Tav. 04

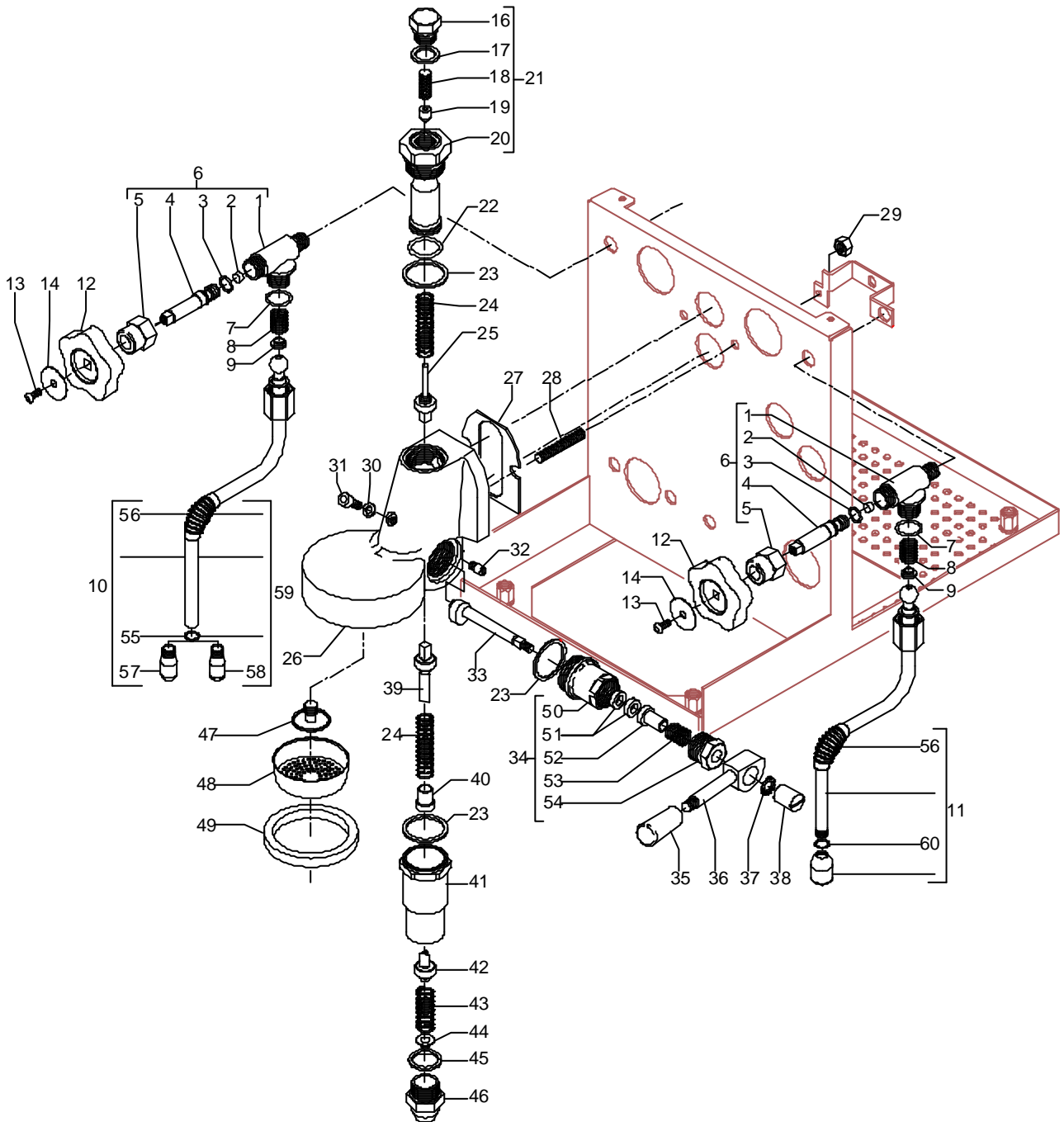


Tav. 04

POS	DESCRIPTION	CODE	REFERENCE
53	SPRING	7479970	-
54	PLUG CHROMED	7479971	-
55	OR GASKET D4.5X1.5 NBR 70	7496083	-
56	INSULATING	7371003	-
57	TERMINAL 4 HOLES	7305010	-
58	TERMINAL 2 HOLES	5226601	-
59	ASSEMBLY STEAM HOSE TERMINAL 2 HOLES	7479975	-
60	OR GASKET D6,4X1.9 NBR70	7496084	-

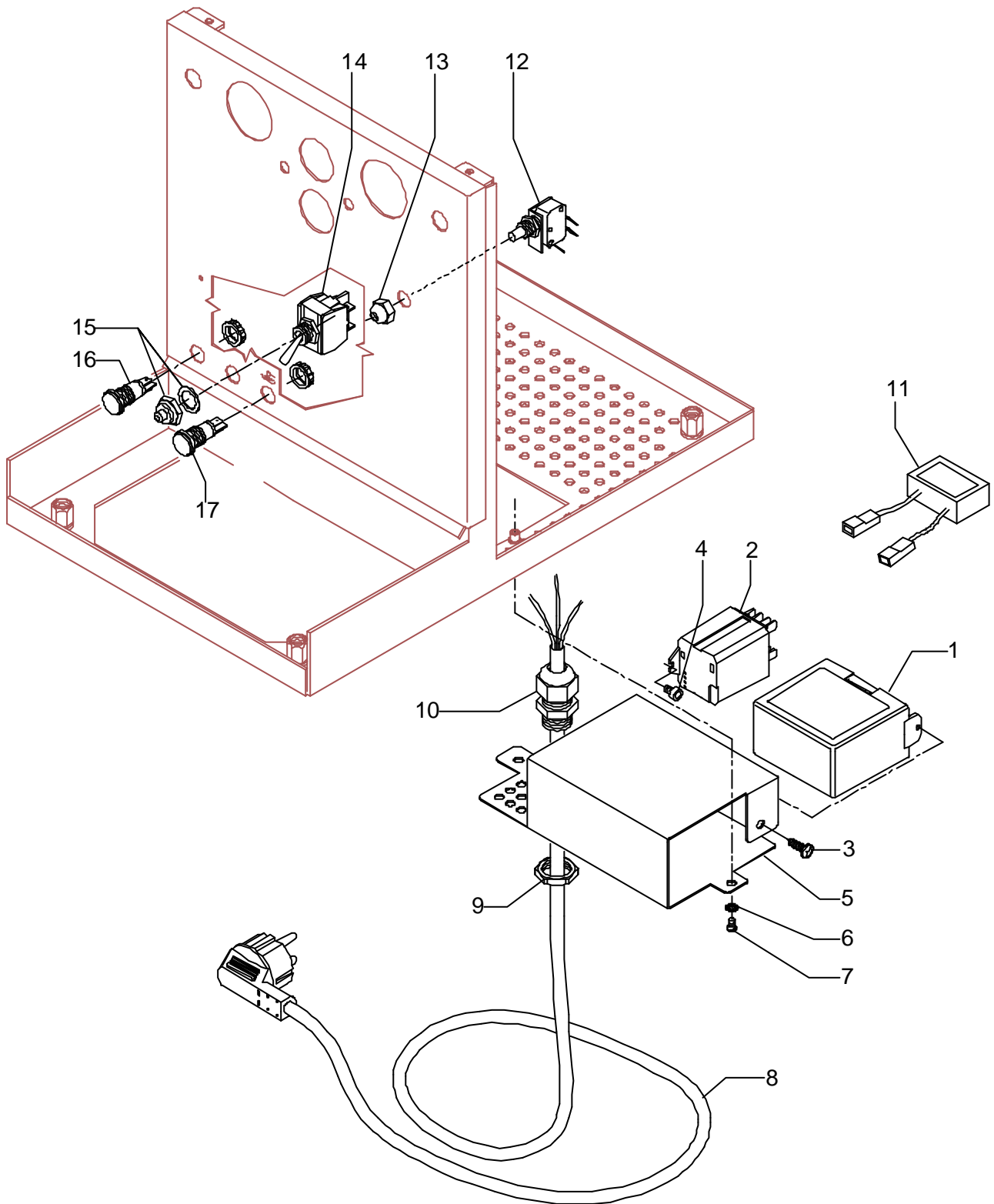
Mod. GEA
Tank / Water supply version

Tav. 04



Tav. 05

POS	DESCRIPTION	CODE	REFERENCE
1	LEVEL REGULATOR 3 PROBES 110/120V	7661033.01	-
1	LEVEL REGULATOR 3 PROBES 220/230V	7661034.01	-
1	LEVEL REGULATOR 3 PROBES 240V	7661035.01	-
2	RELAY 16A 110V 2 CONTACTS FASTON	7635418	-
2	RELAY 16A 220/230V 2 CONTACTS FASTON	7635419	-
2	RELAY 16A 240V 2 CONTACTS FASTON	7635420	-
3	TAPPING SCREW TPS D4.8X16 UNI 6955 A2	7819404	-
4	SCREW TCEI M4X6	7816017	-
5	ELECTRIC PARTS SUPPORT PLATE	5035709LL	-
6	WASHER Ø 4	7814001	-
7	SCREW TTEI M4X8	7819908	-
8	CABLE WITH AUSTRALIAN PLUG	7552001	-
8	CABLE WITH SHUKO PLUG	7555001	-
8	CABLE WITH SWITZERLAND PLUG	7555003	-
9	NUT PG13,5 POLYAMIDE	7614006	-
10	CABLE-PRESS WITH NUT	7614007	-
11	FILTER RC	7663005R	-
12	MICROSWITCH 250V	7633906	-
13	NUT M10X0,75	5221875CM	-
14	BIPOLAR SWITCH LEVER	7633326	-
15	SWTCH PROTECTION PLASTIC	7372507	-
16	GREEN LAMP 110/240V	7633622	-
17	ORANGE LAMP 110/240V	7633621	-



Tav. 06

POS	DESCRIPTION	CODE	REFERENCE
1	COFFEE-PRESS ABS	5373001	-
2	MEASURER ABS	5372101	-
3	CLEANING BRUSH	7990603	-
4	FILTER 2 CUPS 12 GRAMS	5471007	-
4	FILTER 2 CUPS 14 GRAMS AISI 304	5471009	-
5	FILTER 1 CUP 6 GRAMS	5471004	-
5	FILTER 1 CUP 8 GRAMS AISI 304	5471011	-
6	BLIND FILTER AISI 304	5471003	-
7	FILTER-HOLDER SPRING D1.2 AISI 302	5471527	-
8	COMPLETE FILTER-HOLDER	7479930	-
9	SPOUT 1 WAY	7305006	-
10	SPOUT 2 WAY	7305007	-
11	FILTER-HOLDER KNOB	7371502	-
12	PLUG	5373915CM	-
13	ASSEMBLY FILTER-HOLDER 1 CUP	5965551	-
14	ASSEMBLY FILTER-HOLDER 2 CUPS	5965550	-

