

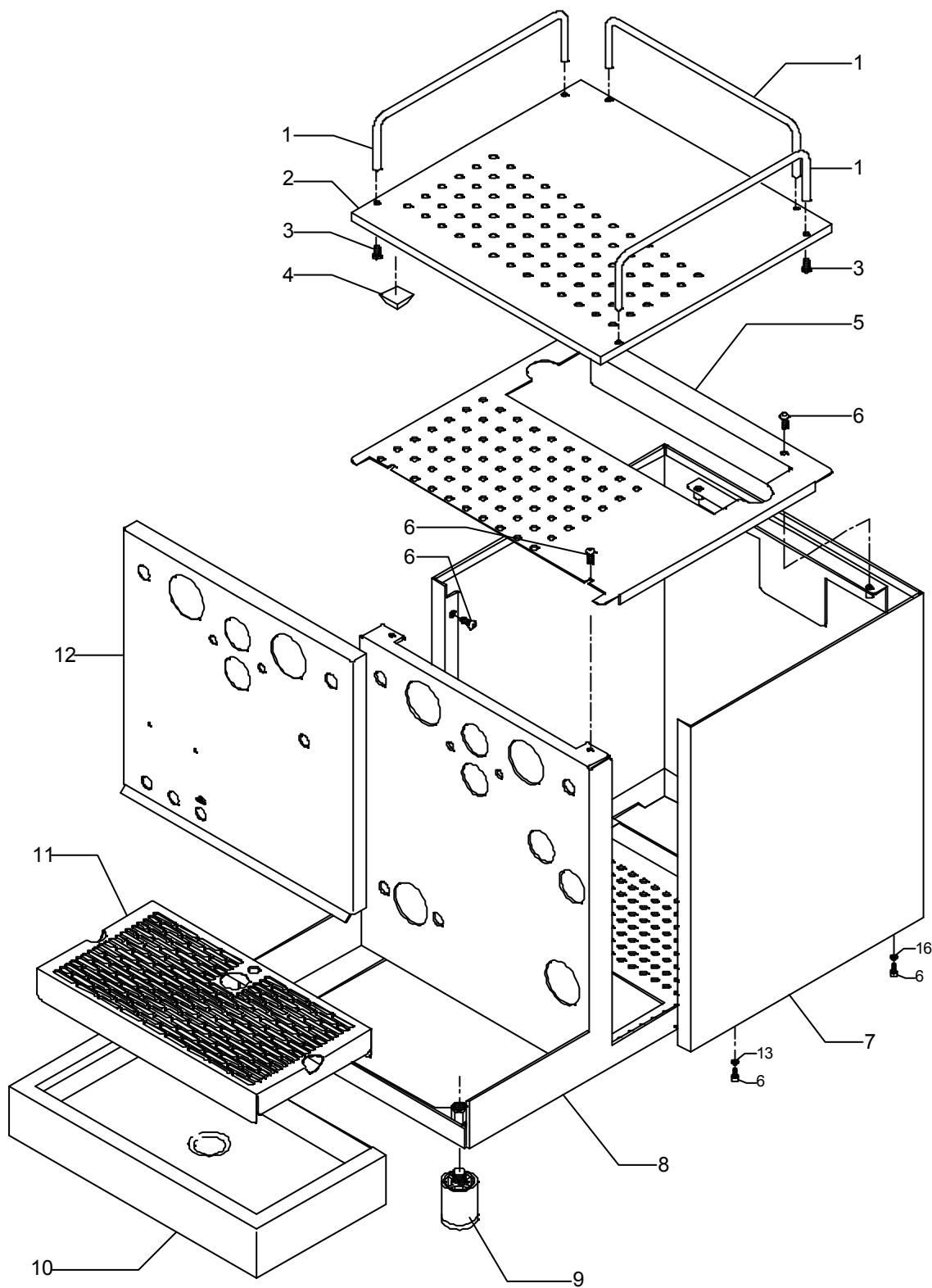


MEDEA



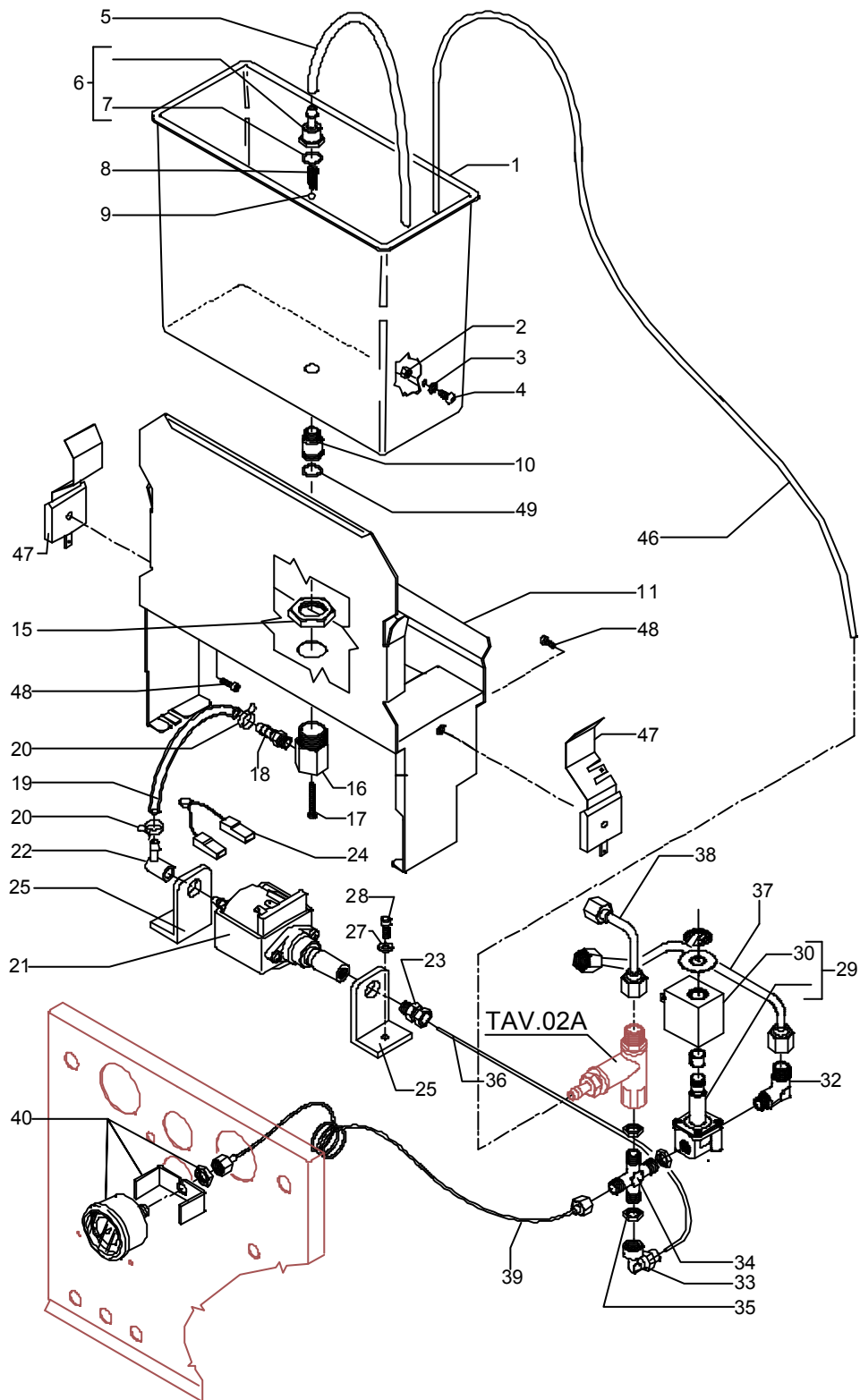


POS	DESCRIPTION	CODE	REFERENCE
1	CUP-HEATER	5163205.01CM	-
2	CUPS-HEATER GRID STAINLESS STEEL SATINED	5094575LW	-
2	CUPS-HEATER GRID STAINLESS STEEL POLISHED	5074612LW	-
3	TAPPING SCREW M4X13	7818603	-
4	ADHESIVE FEET	7474212	-
5	CUPS-HEATER TANK	5056301LW	-
6	SCREW TCEI M4X12	7816002	-
7	BODY STAINLESS STEEL SATINED	5344024	-
7	BODY STAINLESS STEEL POLISHED	5344023	-
8	CHASSIS BLACK	5340003.01LL	-
9	FOOT	7474218	-
10	DRIP TRAY STAINLESS STEEL SATINED	5340502	-
10	DRIP TRAY STAINLESS STEEL POLISHED	5340513	-
11	DRIP TRAY GRID STAINLESS STEEL SATINED	5094576LW	-
11	DRIP TRAY GRID STAINLESS STEEL POLISHED	5074613LW	-
12	GROUP FRONTAL STAINLESS STEEL SATINED	5094485.01SG	-
12	GROUP FRONTAL STAINLESS STEEL POLISHED	5074436.01SG	-
13	PLAIN WASHER Ø4X12	7809804	-



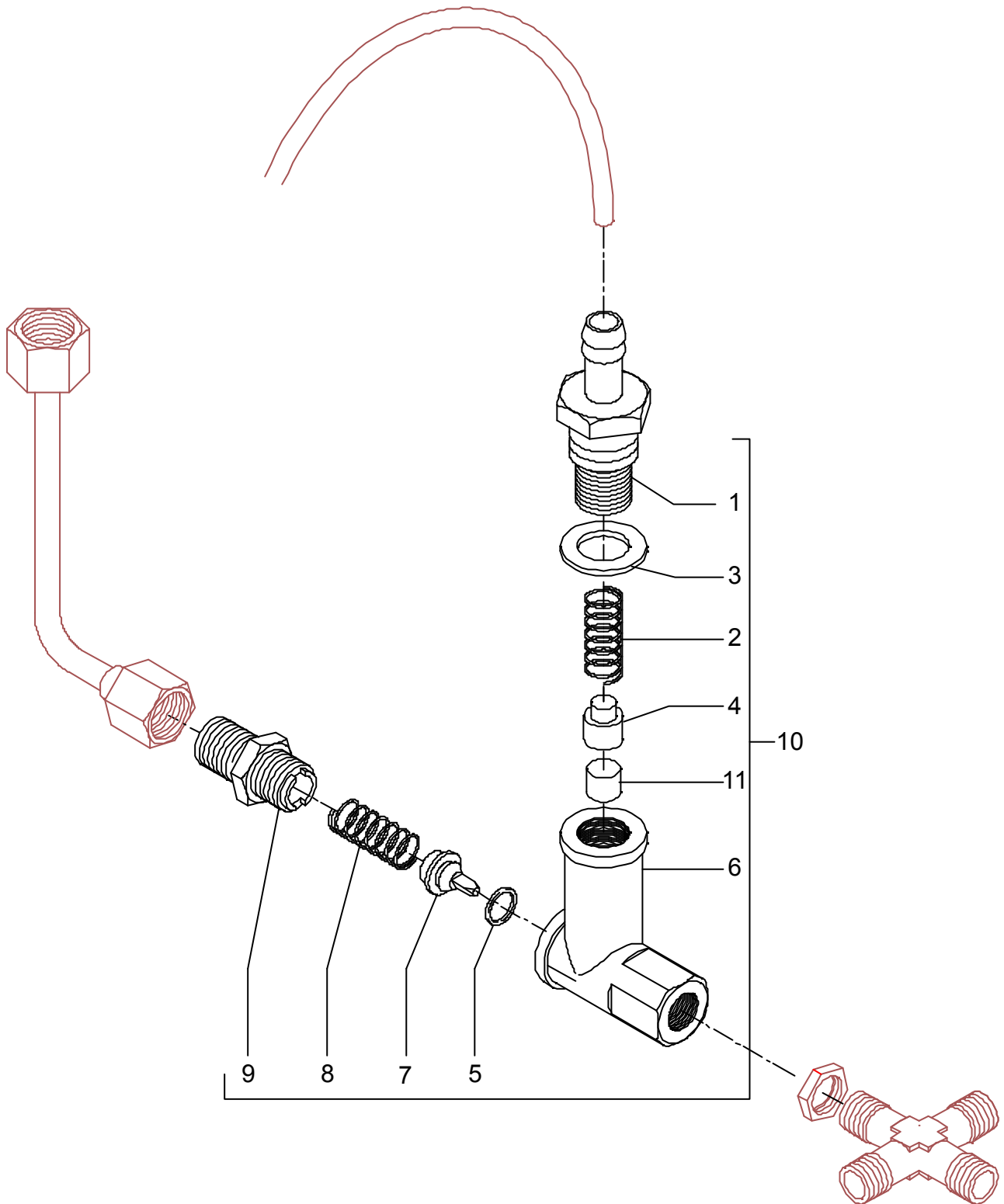


POS	DESCRIPTION	CODE	REFERENCE
1	TANK	5374505	-
2	NUT M4 STAINLESS STEEL	7812601	-
3	WASHER D4 NYLON	7374004	-
4	SCREW TTEI M4X8	7819908	-
5	HOSE 8X5 L=300 SILICONE	5194540	-
6	RUBBER-HOLDER D7,5	5224409	-
7	OR GASKET 115 EP856	7496073	-
8	COUPLING SPRING	5471521	-
9	BALL 7/32" AISI 304	5471509	-
10	GASKET-HOLDER D14.5 X 25 OT	5224617	-
11	ASSEMBLY TANK SUPPORT	5963009.02	-
15	NUT M20 H5 OT	5221830	-
16	FITTING M20 H28.5 OT	5225228	-
17	SCREW TCI M3X30 UNI 6107 OT	7826206	-
18	FITTING 1/8"G CONIC ES.10 H33 OT	5225246	-
19	CRISTAL HOSE D6 X 9 L=150MM	5194529	-
20	CLAMP	7611512	-
21	VIBRATION PUMP EAP5 120V	7731011	-
21	VIBRATION PUMP EX5 230V	7731009	-
21	VIBRATION PUMP EAP5 240V	7731014	-
22	RUBBER-HOLDER FITTING	7303006	-
23	STRAIGHT FITTING 1/8"G OT	7303036	-
24	THERMIC SAFETY DEVICE 100°C AUTOMATIC	7634816	-
25	VIBRATION-DAMPING	7470602	-
27	PLAIN WASHER D5 X 11 X 1	7805009	-
28	SCREW TCEI M4X16	7816004	-
29	SOLENOID VALVE 2 WAY 115V PARKER	7701111	-
29	SOLENOID VALVE 2 WAY 230V PARKER	7702310	-
29	SOLENOID VALVE 2 WAY 240V PARKER	7702409	-
30	SOLENOID VALVE COIL 110V PARKER	7630327	-
30	SOLENOID VALVE COIL 220/230V PARKER	7630328	-
30	SOLENOID VALVE COIL 240V PARKER	7630329	-
32	UNION ELBOW 1/8"G X M12 OT	5301504	-
33	UNION ELBOW 1/8"G OT	7303034	-
34	UNION 1/8"G	7304001	-
35	NUT 1/8"G H3	5221844	-
36	PUMP-SOLENOID VALVE HOSE	5194590	-
37	BOILER LOAD HOSE	5162237.01LL	-
38	SURPRESSION VALVE - HEAT EXCHANGER HOSE	5162236.01LL	-
39	PUMP PRESSURE GAUGE CAPILLARY	7400902	-
40	PRESSURE GAUGE D40 16BAR	7432523	-
46	DRAIN HOSE SURPRESSION VALVE	5194592	-
47	TANK SUPPORT SHAPED SPRING	5471535	-
48	SCREW TC M3,5X8	7809806	-
49	OR GASKET 112 EPDM 70SH	7496076	-



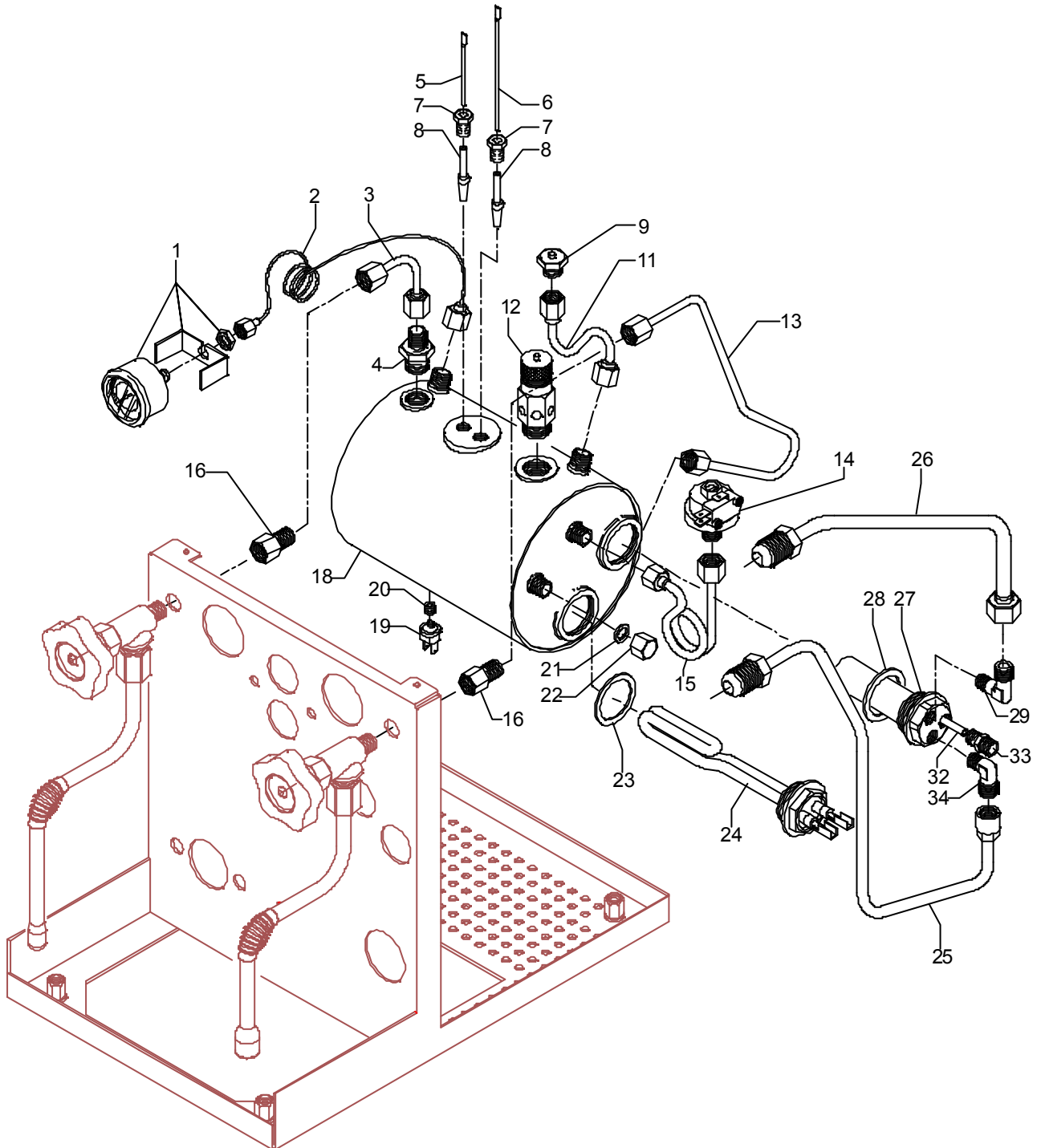


POS	DESCRIPTION	CODE	REFERENCE
1	RUBBER-HOLDER FITTING	5302072	-
2	CALIBRATED SPRING D1 H26 AISI 302	5471506.01	-
3	OR GASKET 114 VITON	7496052	-
4	GASKET-HOLDER	5224619	-
5	OR GASKET 105 VITON	7496018	-
6	SURPRESSION VALVE BODY	5283049	-
7	GASKET-HOLDER	5224615	-
8	CALIBRATED SPRING D0.45 H22 AISI 302	5471505	-
9	STRAIGHT FITTING M12 H26.5 OT	5302017	-
10	ASSEMBLY SURPRESSION VALVE 12BAR	5965165	-
11	GASKET D8 X 4 EPT 70SH	5493001	-



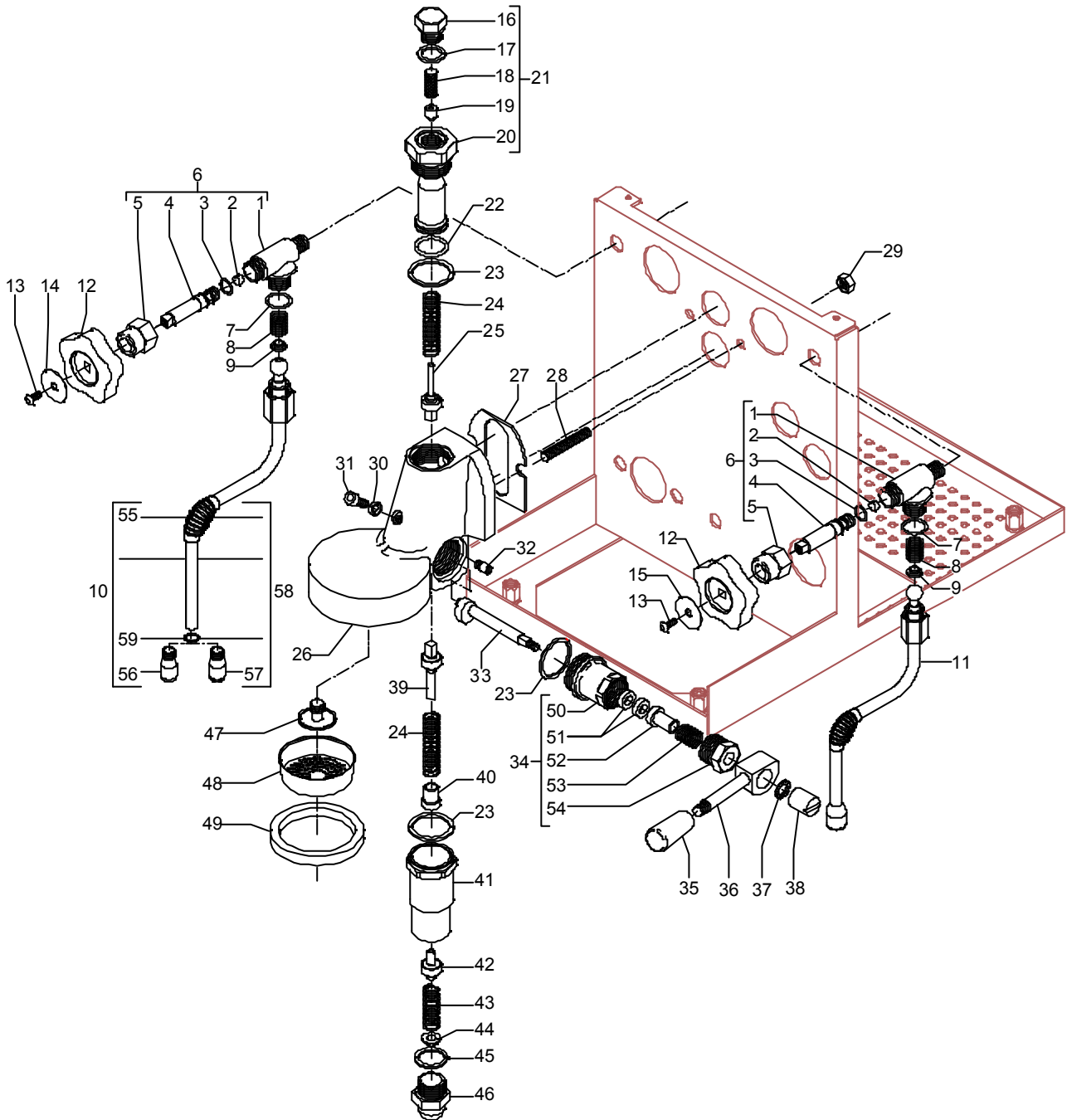


POS	DESCRIPTION	CODE	REFERENCE
1	BOILER PRESSURE GAUGE D40 3BAR	7432522	-
2	BOILER PRESSURE GAUGE CAPILLARY	7400903	-
3	STEAM TAP HOSE	5162234LL	-
4	STRAIGHT FITTING 3/8"G X M13 ES.22 H30 OT	5302005	-
5	LEVEL PROBE D3 X 80 X 6.3	5265819	-
6	MINIMUM LEVEL PROBE D3 X 110 X 4.8	5265812	-
7	STRAIGHT FITTING M10 OT	5225205	-
8	PROBE SHEATH D8 X 45 HOLE D3 PTFE	5192001	-
9	VALVE	7452511	-
11	VALVE HOSE	5162239.01LL	-
12	ASSEMBLY SAFETY VALVE 1.65BAR	7452510.01	-
13	WATER TAP HOSE	5162233LL	-
14	PRESSOSTAT XP/100 1/4"G	7433013	-
15	PRESSOSTAT HOSE	5162235LL	-
16	FITTING M/F M13x1	5302064	-
18	ASSEMBLY BOILER POLISHED	5320501BL	-
19	THERMOSTAT MANUAL 16A 135°C	7434009	-
20	DOWEL M8 X 6 HOLE M4 OT	5227007	-
21	GASKET D10.5 X 2	5492008	-
22	PLUG M12X1 OT	5221813	-
23	GASKET D42x32x2 PTFE	5492025	-
24	HEATING ELEMENT 1350 110V	5721127	-
24	HEATING ELEMENT 1250/1450W 220/240V	5722240	-
25	BOTTOM HEATING HOSE	5163204LL	-
26	UPPER HEATING HOSE	5164067LL	-
27	EXCHANGER 3 HOLES	5329012BL	-
28	GASKET D32 X 3 BRASS	5495007	-
29	UNION ELBOW 1/8"X3/8"	5301521	-
32	SUCTION HOSE D6 L=130MM PTFE	5192301	-
33	STRAIGHT FITTING 1/8"G X M12 OT	5302006	-
34	UNION ELBOW MM 1/8"G	5301520	-





POS	DESCRIPTION	CODE	REFERENCE
1	TAP BODY 3/8"GxM13	5283039EC	-
2	GASKET D8 X 4 EPT 70SH	5493001	-
3	OR GASKET D7.6 X 2.62 VITON	7496001	-
4	ROD ASSY	5960502.02CM	-
5	NUT 3/8"G	5221803EC	-
6	ASSEMBLY WATER/STEAM TAP	5964013.02	-
7	OR GASKET	7496072	-
8	SPRING	5471532	-
9	COMPLETE CUP	5220606	-
10	ASSEMBLY STEAM HOSE TERMINAL 4 HOLES	7479958	-
11	ASSEMBLY WATER HOSE	7479959	-
12	TAP KNOB	7371509	-
13	SCREW TEB M5x10	7826410CM	-
14	STEAM PLATE - ITALIAN	5522055	-
15	WATER PLATE - ITALIAN	5522056	-
16	UPPER ASSY PLUG	7479952	-
17	GASKET TF 22X17X2	7479953	-
18	INOX FILTER Ø8,5X22	7479954	-
19	INJECTOR M6X0,75 FORO Ø0,7	7479955	-
20	UPPER SLEEVE ASSY	7479956	-
21	INJECTOR Ø0.7 UPPER SLEEVE ASSY	7479933	-
22	GASKET OR 128 VITON	7479934	-
23	GASKET TF Ø35X30X2	7479935	-
24	DELIVERY VALVE SPRING	7479936	-
25	DELIVERY VALVE ASSY	7479937	-
26	DELIVERY GROUP BODY	7479940	-
27	INSULATING	7493011	-
28	TIE ROD M8 X 31 ASTM A193	5267013	-
29	NUT M8 UNI 5587 ASTM A194	7812607	-
30	GASKET TF Ø10X6X1	7479938	-
31	SCREW TCE M6X8	7479939	-
32	CAM STOP PIN	7479951	-
33	CAM SHAFT	7479950	-
34	CAM FLANGE ASSY	7479949	-
35	LEVER KNOB	7371511.01	-
36	DELIVERY LEVER	7479931	-
37	WASHER Ø8	7479947	-
38	CAP Ø15XM6	7479948	-
39	ASSEMBLY VALVE	7479946	-
40	SPRING GUIDE BUSHING	7479942	-
41	LOWER SLEEVE ASSY	7479957	-
42	ASSEMBLY RELIEF VALVE	7479943	-
43	DRAIN SPRING	7479944	-
44	JET-BREAKER BUSHING Ø15X6	7479945	-
45	GASKET TF D26x21x2	7479960	-
46	GROUP BOTTOM FITTING	7479961	-
47	SPRAYER Ø30	7479941	-
48	SHOWER FILTER	5471022	-
49	UNDERCUP GASKET	5493039	-
50	CAM FLANGE CHROMED	7479967	-
51	WASHER EP709 15,5X7,5X4	7479968	-

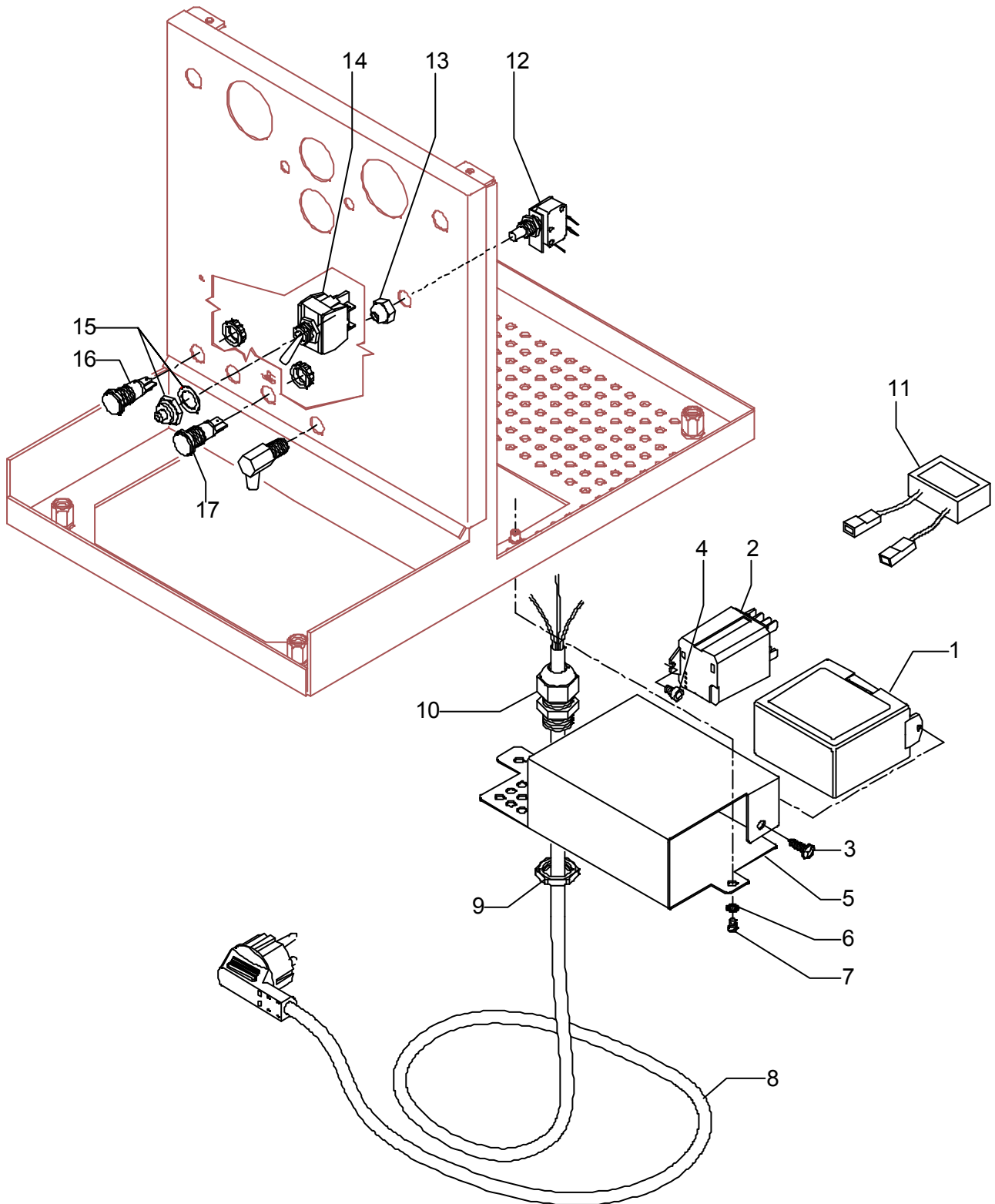




POS	DESCRIPTION	CODE	REFERENCE
52	BUSHING	7479969	-
53	SPRING GROUP	7479970	-
54	PLUG CHROMED	7479971	-
55	INSULATING	7371003	-
56	TERMINAL 4 HOLES	7305010	-
57	TERMINAL 2 HOLES	5226601	-
58	ASSEMBLY STEAM HOSE TERMINAL 2 HOLES	7479975	-
59	OR GASKET D4,5X1,5 NBR70	7496083	-

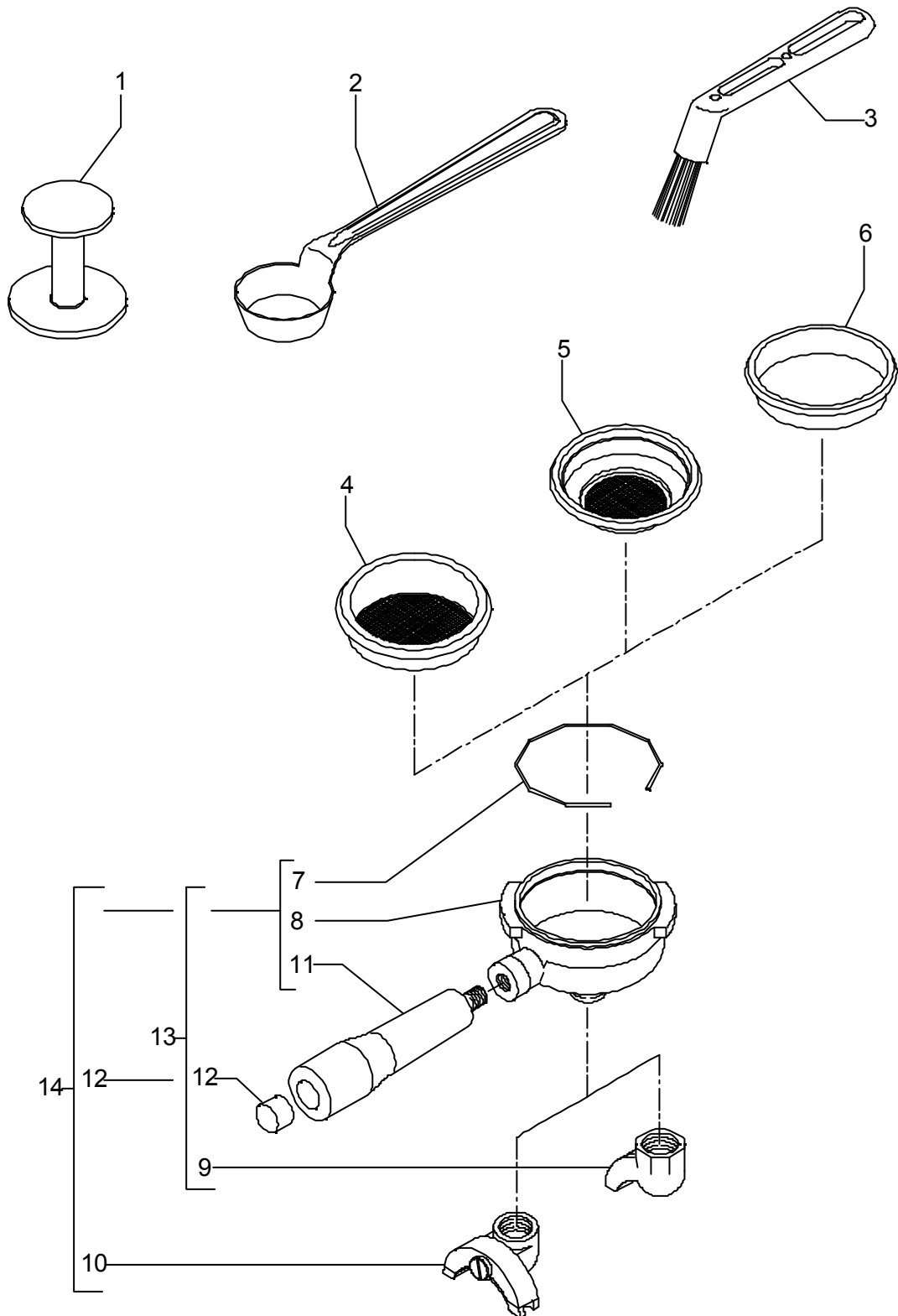


POS	DESCRIPTION	CODE	REFERENCE
1	LEVEL REGULATOR 3 PROBES 110/120V	7661033.01	-
1	LEVEL REGULATOR 3 PROBES 220/230V	7661034.01	-
1	LEVEL REGULATOR 3 PROBES 240V	7661035.01	-
2	RELAY 16A 110V 2 CONTACTS FASTON	7635418	-
2	RELAY 16A 220/230V 2 CONTACTS FASTON	7635419	-
2	RELAY 16A 240V 2 CONTACTS FASTON	7635420	-
3	TAPPING SCREW TPS D4.8X16 UNI 6955 A2	7819404	-
4	SCREW TCEI M4X6	7816017	-
5	ELECTRIC PARTS SUPPORT PLATE	5035709LL	-
6	WASHER D4 DIN 6798A A2	7814001	-
7	SCREW TTEI M4X8	7819908	-
8	CABLE WITH SHUKO PLUG	7555001	-
8	CABLE WITH AUSTRALIAN PLUG	7552001	-
8	CABLE WITH SWITZERLAND PLUG	7555003	-
9	NUT PG13,5 POLYAMIDE	7614006	-
10	CABLE-PRESS PG13,5	7614007	-
11	FILTER RC	7663005R	-
12	MICROSWITCH 250V	7633906	-
13	NUT M10X0,75	5221875CM	-
14	BIPOLAR SWITCH LEVER	7633326	-
15	SWTCH PROTECTION PLASTIC	7372507	-
16	GREEN LAMP 110/240V	7633622	-
17	ORANGE LAMP 110/240V	7633621	-





POS	DESCRIPTION	CODE	REFERENCE
1	COFFEE-PRESS ABS	5373001	-
2	MEASURER ABS	5372101	-
3	CLEANING BRUSH	7990603	-
4	FILTER 2 CUPS 12 GRAMS	5471007	-
4	FILTER 2 CUPS 14 GRAMS AISI 304	5471009	-
5	FILTER 1 CUP 6 GRAMS	5471004	-
5	FILTER 1 CUP 8 GRAMS AISI 304	5471011	-
6	BLIND FILTER AISI 304	5471003	-
7	FILTER-HOLDER SPRING D1.2 AISI 302	5471527	-
8	FILTER-HOLDER	7479972	-
9	SPOUT 1 WAY	7305006	-
10	SPOUT 2 WAY	7305007	-
11	FILTER-HOLDER KNOB	7371514	-
12	PLUG	5373915CM	-
13	ASSEMBLY FILTER-HOLDER 1 CUP	5965551.01	-
14	ASSEMBLY FILTER-HOLDER 2 CUPS	5965550.01	-





POS	DESCRIPTION	CODE	REFERENCE
1	COFFEE-PRESS ABS	5373001	-
2	MEASURER ABS	5372101	-
3	CLEANING BRUSH	7990603	-
4	FILTER 2 CUPS 12 GRAMS WITH RUN CHANNEL	5471021	-
4	FILTER 2 CUPS 14 GRAMS WITH RUN CHANNEL	5471026	-
5	FILTER 1 CUP 6 GRAMS WITH RUN CHANNEL	5471020	-
5	FILTER 1 CUP 8 GRAMS WITH RUN CHANNEL	5471024	-
6	BLIND FILTER	5471003	-
7	FILTER-HOLDER SPRING D1.2 AISI 302	5471527	-
8	FILTER-HOLDER	7479972	-
9	SPOUT 1 WAY	7305006	-
10	SPOUT 2 WAY	7305007	-
11	FILTER-HOLDER KNOB	7371514	-
12	PLUG	5373915CM	-
13	ASSEMBLY FILTER-HOLDER 1 CUP	5965551.01	-
14	ASSEMBLY FILTER-HOLDER 2 CUPS	5965550.01	-

